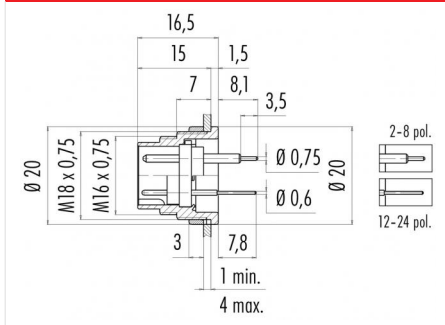


Product description	M16 IP40 male panel mount connector, Contacts: 5 (stereo), unshielded, dip-solder, IP40, front mounting
Area	M16 IP40 series 680
Order number	09 0319 90 05

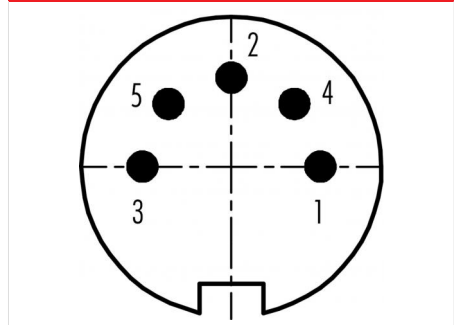
**Illustration**



**Scale drawing**



**Contact arrangement (Plug-in side)**



You can find the assembly instructions on the next page.

**Technical data**

**General features**

Order number	09 0319 90 05
Connector design	male panel mount connector
Version	connector male straight
Connector locking system	screw
Termination	dip-solder
Degree of protection	IP40
Temperature range from/to	-40 °C / 85 °C
Mechanical operation	> 500 Mating cycles
Weight (g)	11.809
Customs tariff number	85369010

**Classifications**

eCl@ss 11.1	27-44-01-09
ETIM 7.0	EC003569

**Electrical parameters**

Rated voltage	60 V
Rated impulse voltage	500 V
Rated current (40 °C)	6 A
Insulation resistance	≥ 10 <sup>10</sup> Ω
Pollution degree	1
Overvoltage category	I
Insulating material group	III
EMC compliance	unshielded

**Material**

Housing material	Zinc die-cast nickel-plated
Contact body material	PBT (UL94 V-0)
Contact material	CuZn (brass)
Contact plating	Ag (silver)
REACH SVHC	CAS 7439-92-1 (Lead)

Product description	M16 IP40 male panel mount connector, Contacts: 5 (stereo), unshielded, dip-solder, IP40, front mounting
Area	M16 IP40 series 680
Order number	09 0319 90 05

Assembly instructions / Panel cut-out



Product description	<b>M16 IP40 male panel mount connector, Contacts: 5 (stereo), unshielded, dip-solder, IP40, front mounting</b>
Area	<b>M16 IP40 series 680</b>
Order number	<b>09 0319 90 05</b>

## Security notices

The connectors have been developed for applications in plant engineering, control and electrical equipment construction. The user is responsible for checking whether the connectors can also be used in other areas of application.