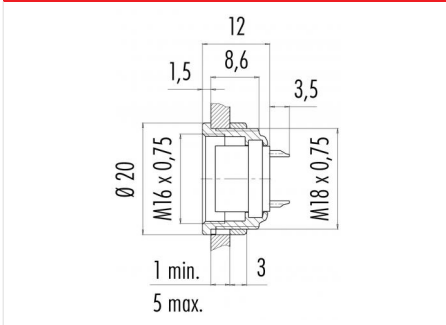


Product description	M16 IP40 female panel mount connector, Contacts: 24, unshielded, solder, IP40
Area	M16 IP40 series 680
Order number	09 0198 00 24

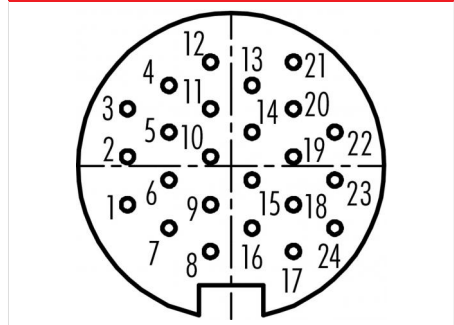
Illustration



Scale drawing



Contact arrangement (Plug-in side)



You can find the assembly instructions on the next page.

Technical data

General features

Order number	09 0198 00 24
Connector design	female panel mount connector
Version	connector female straight screw
Connector locking system	solder
Termination	IP40
Degree of protection	0.14 mm ² / AWG 26
Cross-sectional area	-40 °C / 85 °C
Temperature range from/to	> 500 Mating cycles
Mechanical operation	9.445
Weight (g)	85369010
Customs tariff number	

Material

Housing material	Zinc die-cast nickel-plated
Contact body material	PBT (UL94 V-0)
Contact material	CuSn (bronze)
Contact plating	Au (gold)
REACH SVHC	CAS 7439-92-1 (Lead)

Classifications

eCl@ss 11.1	27-44-01-09
ETIM 7.0	EC003569

Electrical parameters

Rated voltage	60 V
Rated impulse voltage	500 V
Rated current (40 °C)	1 A
Insulation resistance	≥ 10 ¹⁰ Ω
Pollution degree	1
Overvoltage category	I
Insulating material group	III
EMC compliance	unshielded

Product description	M16 IP40 female panel mount connector, Contacts: 24, unshielded, solder, IP40
Area	M16 IP40 series 680
Order number	09 0198 00 24

Assembly instructions / Panel cut-out



Product description	M16 IP40 female panel mount connector, Contacts: 24, unshielded, solder, IP40
Area	M16 IP40 series 680
Order number	09 0198 00 24

Security notices

The connectors have been developed for applications in plant engineering, control and electrical equipment construction. The user is responsible for checking whether the connectors can also be used in other areas of application.