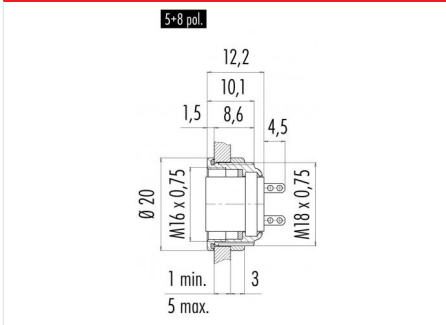


Product description	M16 IP67 female panel mount connector, Contacts: 8 DIN, unshielded, solder, IP68, UL, AISG compliant
Area	M16 IP67 series 723
Order number	09 0174 00 08

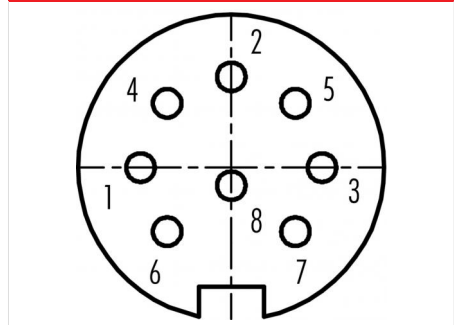
Illustration



Scale drawing



Contact arrangement (Plug-in side)



You can find the assembly instructions on the next page.

Technical data

General features

Order number	09 0174 00 08
Connector design	female panel mount connector
Version	connector female straight screw
Connector locking system	solder
Termination	IP68
Degree of protection	IP67
Cross-sectional area	0.75 mm ² / AWG 18
Temperature range from/to	-40 °C / 95 °C
Mechanical operation	> 500 Mating cycles
Weight (g)	9.544
Customs tariff number	85369010

Electrical parameters

Rated voltage	60 V
Rated impulse voltage	500 V
Rated current (40 °C)	5 A
Insulation resistance	≥ 10 ¹⁰ Ω
Pollution degree	1
Overvoltage category	I
Insulating material group	III
EMC compliance	unshielded

Material

Housing material	Zinc die-cast nickel-plated
Contact body material	PBT (UL94 V-0)
Contact material	CuSn (bronze)
Contact plating	Ag (silver)
REACH SVHC	CAS 7439-92-1 (Lead)

Authorization/approvals

Approval 1	UL
Approval 2	AISG compliant

Classifications

eCl@ss 11.1	27-44-01-09
ETIM 7.0	EC003569

Product description M16 IP67 female panel mount connector, Contacts: 8 DIN, unshielded, solder, IP68, UL, AISG compliant

Area M16 IP67 series 723
Order number 09 0174 00 08

Assembly instructions / Panel cut-out



Product description	M16 IP67 female panel mount connector, Contacts: 8 DIN, unshielded, solder, IP68, UL, AISG compliant
Area	M16 IP67 series 723
Order number	09 0174 00 08

Security notices

The connectors have been developed for applications in plant engineering, control and electrical equipment construction. The user is responsible for checking whether the connectors can also be used in other areas of application.

Plug connectors with enclosure protection IP 67 and IP 68 are not suitable for use under water. When used outdoors, the plug connectors must be protected separately against corrosion. For further information on the IP protection classes, please refer to the "Technical Information" download centre.