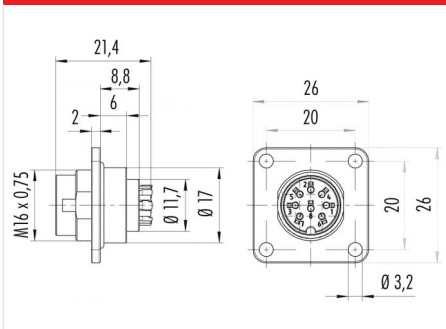


Product description	M16 IP67 square male panel mount connector, Contacts: 8 DIN, unshielded, crimp (Crimp contacts must be ordered separately), IP68, UL, AISG compliant
Area	M16 IP67 series 723
Order number	09 0173 370 08

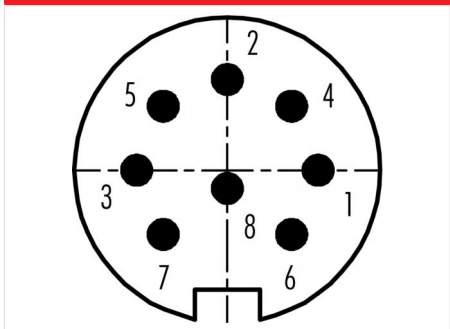
Illustration



Scale drawing



Contact arrangement (Plug-in side)



You can find the assembly instructions on the next page.

Technical data

General features

Order number	09 0173 370 08
Connector design	square male panel mount connector
Version	connector male straight screw
Connector locking system	crimp (Crimp contacts must be ordered separately)
Termination	separately)
Degree of protection	IP68
Cross-sectional area	IP67
Temperature range from/to	see crimp contacts
Mechanical operation	under accessories
Weight (g)	-40 °C / 100 °C
Customs tariff number	> 500 Mating cycles
	11.986
	85369010

Electrical parameters

Rated voltage	60 V
Rated impulse voltage	500 V
Rated current (40 °C)	5 A
Insulation resistance	≥ 10 ¹⁰ Ω
Pollution degree	1
Overvoltage category	I
Insulating material group	III
EMC compliance	unshielded

Material

Housing material	Zinc die-cast nickel-plated
Contact body material	PBT (UL94 V-0)
Contact material	depending on crimp contact (accessory)
Locking material	Zinc die-cast nickel-plated

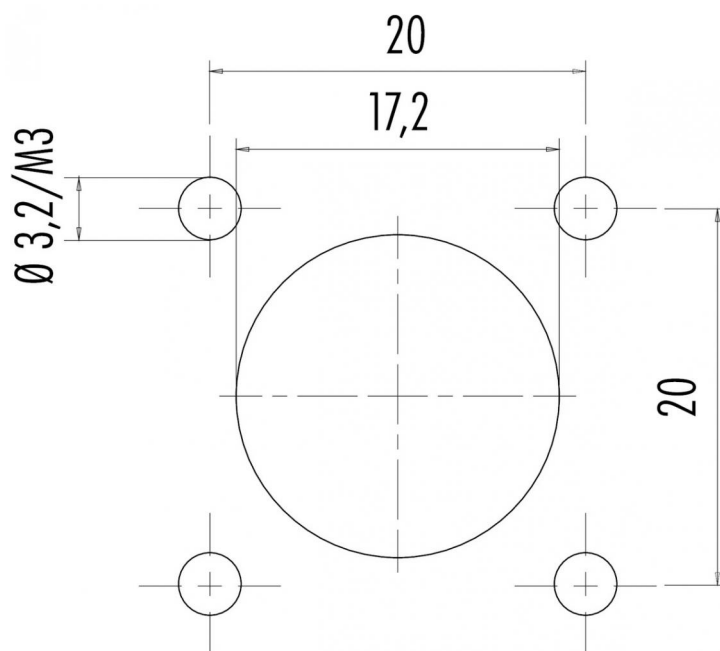
Authorization/approvals

Approval 1	UL
Approval 2	AISG compliant

Product description M16 IP67 square male panel mount connector, Contacts: 8 DIN, unshielded, crimp (Crimp contacts must be ordered separately), IP68, UL, AISG compliant

Area M16 IP67 series 723
Order number 09 0173 370 08

Assembly instructions / Panel cut-out



Product description	M16 IP67 square male panel mount connector, Contacts: 8 DIN, unshielded, crimp (Crimp contacts must be ordered separately), IP68, UL, AISG compliant
Area	M16 IP67 series 723
Order number	09 0173 370 08

Security notices

The connectors have been developed for applications in plant engineering, control and electrical equipment construction. The user is responsible for checking whether the connectors can also be used in other areas of application.

Plug connectors with enclosure protection IP 67 and IP 68 are not suitable for use under water. When used outdoors, the plug connectors must be protected separately against corrosion. For further information on the IP protection classes, please refer to the "Technical Information" download centre. The protection class specification applies on condition that the four mounting holes are made as blind holes.