

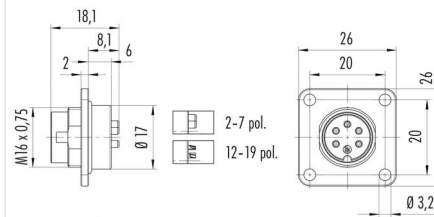
Product description **M16 IP67 square male panel mount connector, Contacts: 12, unshielded, solder, IP67, UL**

Area **M16 IP67 series 723**
 Order number **09 0131 300 12**

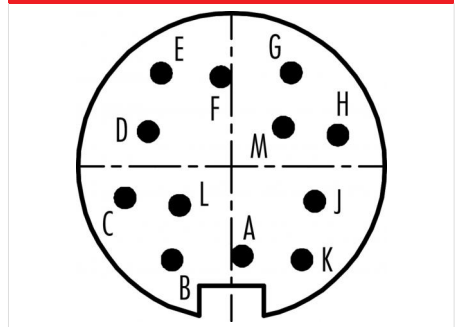
Illustration



Scale drawing



Contact arrangement (Plug-in side)



You can find the assembly instructions on the next page.

Technical data

General features

Order number	09 0131 300 12
Connector design	square male panel mount connector
Version	connector male straight
Connector locking system	screw
Termination	solder
Degree of protection	IP67
Cross-sectional area	0.25 mm ² / AWG 24
Temperature range from/to	-40 °C / 95 °C
Mechanical operation	> 500 Mating cycles
Weight (g)	13.072
Customs tariff number	85369010

Electrical parameters

Rated voltage	60 V
Rated impulse voltage	500 V
Rated current (40 °C)	3 A
Insulation resistance	≥ 10 ¹⁰ Ω
Pollution degree	1
Overvoltage category	I
Insulating material group	III
EMC compliance	unshielded

Material

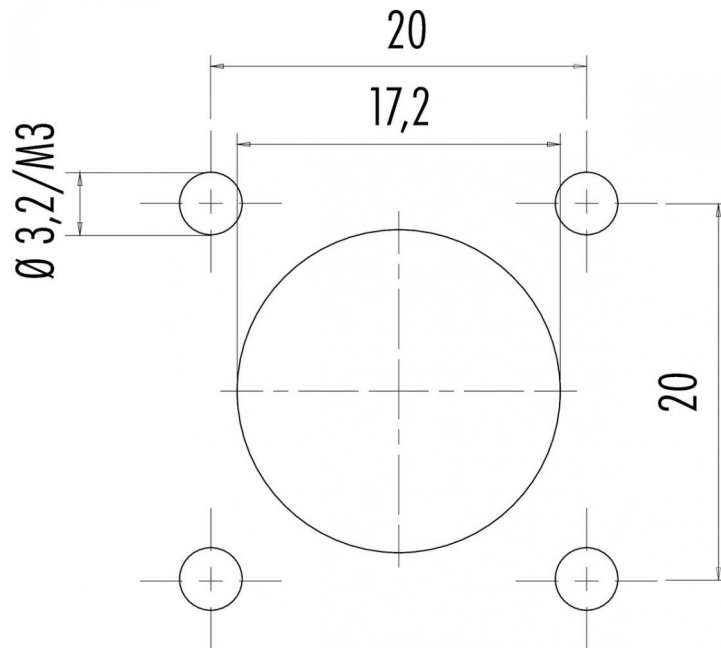
Housing material	Zinc die-cast nickel-plated
Contact body material	PBT (UL94 V-0)
Contact material	CuZn (brass)
Contact plating	Au (gold)
Locking material	Zinc die-cast nickel-plated
REACH SVHC	CAS 7439-92-1 (Lead)

Authorization/approvals

Approval 1	UL
------------	----

Product description	M16 IP67 square male panel mount connector, Contacts: 12, unshielded, solder, IP67, UL
Area	M16 IP67 series 723
Order number	09 0131 300 12

Assembly instructions / Panel cut-out



Product description	M16 IP67 square male panel mount connector, Contacts: 12, unshielded, solder, IP67, UL
Area	M16 IP67 series 723
Order number	09 0131 300 12

Security notices

The connectors have been developed for applications in plant engineering, control and electrical equipment construction. The user is responsible for checking whether the connectors can also be used in other areas of application.

Plug connectors with enclosure protection IP 67 and IP 68 are not suitable for use under water. When used outdoors, the plug connectors must be protected separately against corrosion. For further information on the IP protection classes, please refer to the "Technical Information" download centre. The protection class specification applies on condition that the four mounting holes are made as blind holes.