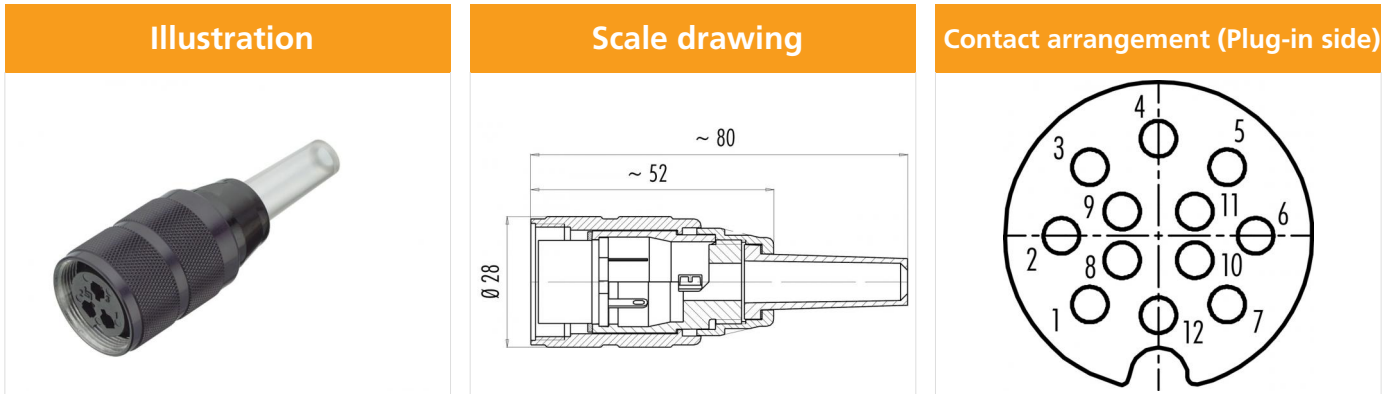


Product description	M25 female cable connector, Contacts: 12, 5.0 - 8.0 mm, shieldable, solder, IP40
Area	M25 series 691
Order number	09 0446 00 12



You can find the component part drawing on the next page.

Technical data

General features

Order number	09 0446 00 12
Connector design	female cable connector
Version	connector female straight
Connector locking system	screw
Termination	solder
Degree of protection	IP40
Cross-sectional area	0.75 mm ² / AWG 18
Cable outlet	5.0 - 8.0 mm
Temperature range from/to	-40 °C / 85 °C
Mechanical operation	> 50 Mating cycles
Weight (g)	38.472
Customs tariff number	85369010

Electrical parameters

Rated voltage	125 V
Rated impulse voltage	1500 V
Rated current (40 °C)	5 A
Insulation resistance	≥ 10 ¹⁰ Ω
Pollution degree	1
Overvoltage category	II
Insulating material group	III
EMC compliance	shieldable
Shield connection	cable clamp and soldering lug

Material

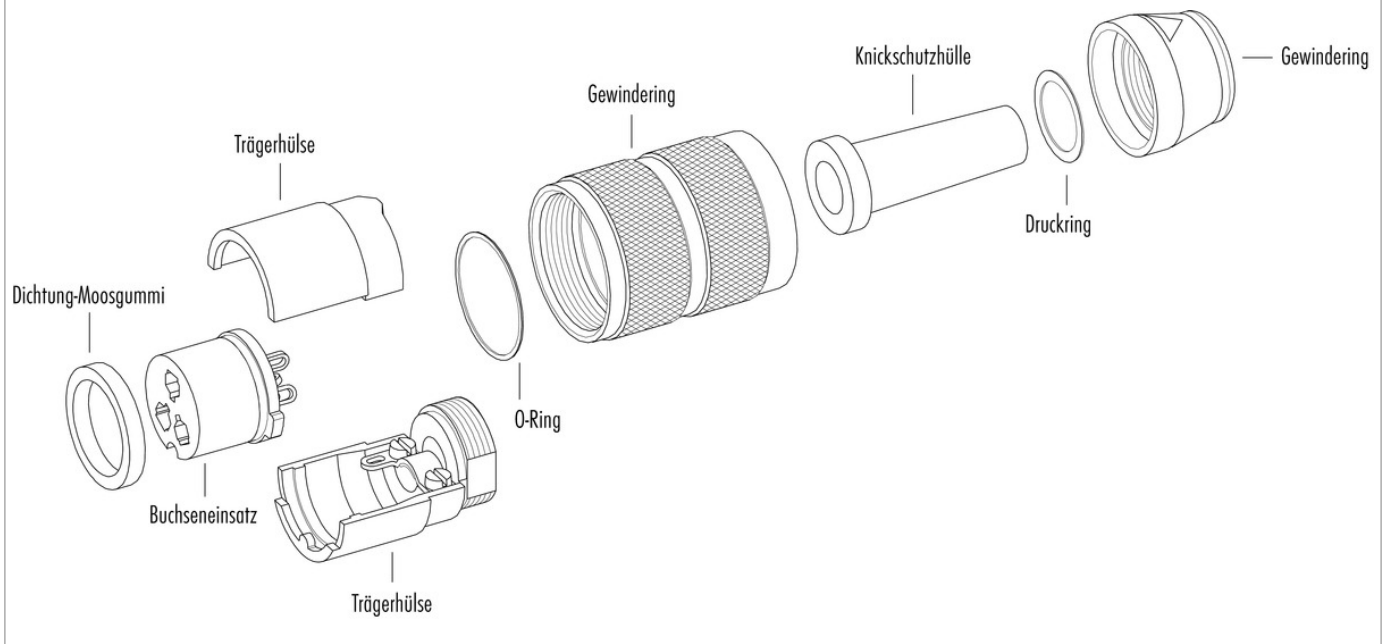
Housing material	GD-AL eloxiert
Contact body material	PET (UL94 V-0)
Contact material	CuZn (brass)
Contact plating	Ag (silver)

Classifications

eCl@ss 11.1	27-44-01-09
ETIM 7.0	EC003569

Product description	M25 female cable connector, Contacts: 12, 5.0 - 8.0 mm, shieldable, solder, IP40
Area	M25 series 691
Order number	09 0446 00 12

Component part drawing



Product description	M25 female cable connector, Contacts: 12, 5.0 - 8.0 mm, shieldable, solder, IP40
Area	M25 series 691
Order number	09 0446 00 12

Security notices

The connector must not be plugged or unplugged under load. Non-observance and improper use can result in personal injury.

The connectors have been developed for applications in plant engineering, control and electrical equipment construction. The user is responsible for checking whether the connectors can also be used in other areas of application.

To protect against unintentional opening of the connector, the thread between the housing and the connector head must be secured with a suitable cyanoacrylate adhesive when used in circuits with voltages dangerous to the touch. This does not apply to connectors used in SELV and PELV circuits according to IEC 61140 (EN 61140, VDE 0140-1).

Connectors which are used in circuits with voltages dangerous to the touch may only be installed and used by, or under the supervision of, persons with electrical engineering training, taking into account the applicable regulations and standards.

To lock the cable connector with the device connector, the threaded ring is tightened "hand-tight" (approx. 50 cNm).