

Product description	M16 IP67 square female panel mount connector, Contacts: 7, unshielded, crimp (Crimp contacts must be ordered separately), IP67, UL
Area	M16 IP67 series 723
Order number	09 0128 370 07

Illustration	Scale drawing	Contact arrangement (Plug-in side)

You can find the assembly instructions on the next page.

## Technical data

### General features

Order number	09 0128 370 07
Connector design	square female panel mount connector
Version	connector female straight
Connector locking system	screw
Termination	crimp (Crimp contacts must be ordered separately)
Degree of protection	IP67
Cross-sectional area	see crimp contacts under accessories
Temperature range from/to	-40 °C / 100 °C
Mechanical operation	> 500 Mating cycles
Weight (g)	9.239
Customs tariff number	85369010

### Electrical parameters

Rated voltage	60 V
Rated impulse voltage	500 V
Rated current (40 °C)	5 A
Insulation resistance	≥ 10 <sup>10</sup> Ω
Pollution degree	1
Overvoltage category	I
Insulating material group	III
EMC compliance	unshielded

### Material

Housing material	Zinc die-cast nickel-plated
Contact body material	PBT (UL94 V-0)
Contact material	depending on crimp contact (accessory)
Locking material	Zinc die-cast nickel-plated

### Authorization/approvals

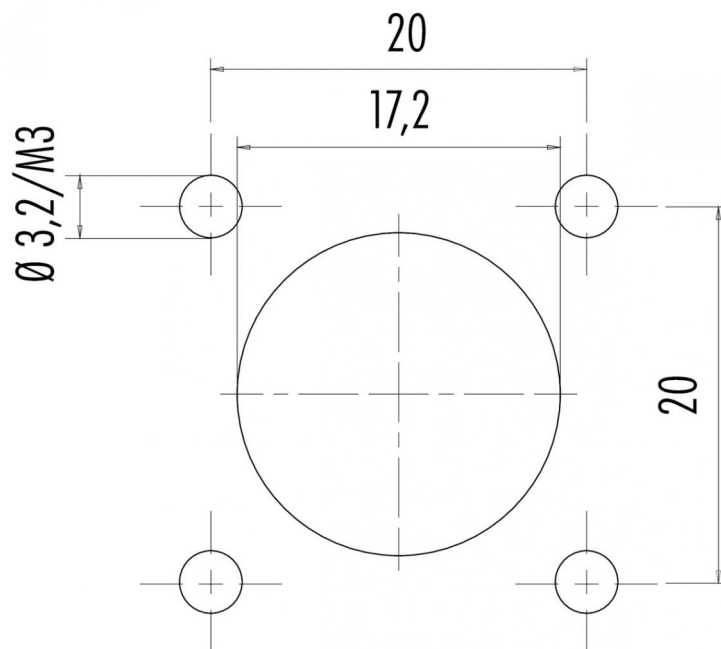
Approval 1	UL
------------	----

### Classifications

eCl@ss 11.1	27-44-01-09
ETIM 7.0	EC003569

Product description	M16 IP67 square female panel mount connector, Contacts: 7, unshielded, crimp (Crimp contacts must be ordered separately), IP67, UL
Area	M16 IP67 series 723
Order number	09 0128 370 07

Assembly instructions / Panel cut-out



Product description	<b>M16 IP67 square female panel mount connector, Contacts: 7, unshielded, crimp (Crimp contacts must be ordered separately), IP67, UL</b>
Area	<b>M16 IP67 series 723</b>
Order number	<b>09 0128 370 07</b>

## Security notices

The connectors have been developed for applications in plant engineering, control and electrical equipment construction. The user is responsible for checking whether the connectors can also be used in other areas of application.

The protection class specification applies on condition that the four mounting holes are made as blind holes.

Plug connectors with enclosure protection IP 67 and IP 68 are not suitable for use under water. When used outdoors, the plug connectors must be protected separately against corrosion. For further information on the IP protection classes, please refer to the "Technical Information" download centre.