

| | |
|---------------------|--|
| Product description | M16 IP67 male cable connector, Contacts: 5, 6.0 - 8.0 mm, unshielded, solder, IP67 |
| Area | M16 IP67 series 723 |
| Order number | 09 0113 70 05 |

| Illustration | Scale drawing | Contact arrangement (Plug-in side) |
|--------------|---------------|------------------------------------|
| | | |

You can find the component part drawing on the next page.

Technical data

General features

| | |
|---------------------------|-------------------------------|
| Order number | 09 0113 70 05 |
| Connector design | male cable connector |
| Version | connector male straight |
| Connector locking system | screw |
| Termination | solder |
| Degree of protection | IP67 |
| Cross-sectional area | 0.75 mm ² / AWG 18 |
| Cable outlet | 6.0 - 8.0 mm |
| Temperature range from/to | -40 °C / 95 °C |
| Mechanical operation | > 500 Mating cycles |
| Weight (g) | 37.446 |
| Customs tariff number | 85369010 |

Electrical parameters

| | |
|---------------------------|----------------------|
| Rated voltage | 250 V |
| Rated impulse voltage | 1500 V |
| Rated current (40 °C) | 6 A |
| Insulation resistance | ≥ 10 ¹⁰ Ω |
| Pollution degree | 1 |
| Overvoltage category | I |
| Insulating material group | III |
| EMC compliance | unshielded |

Material

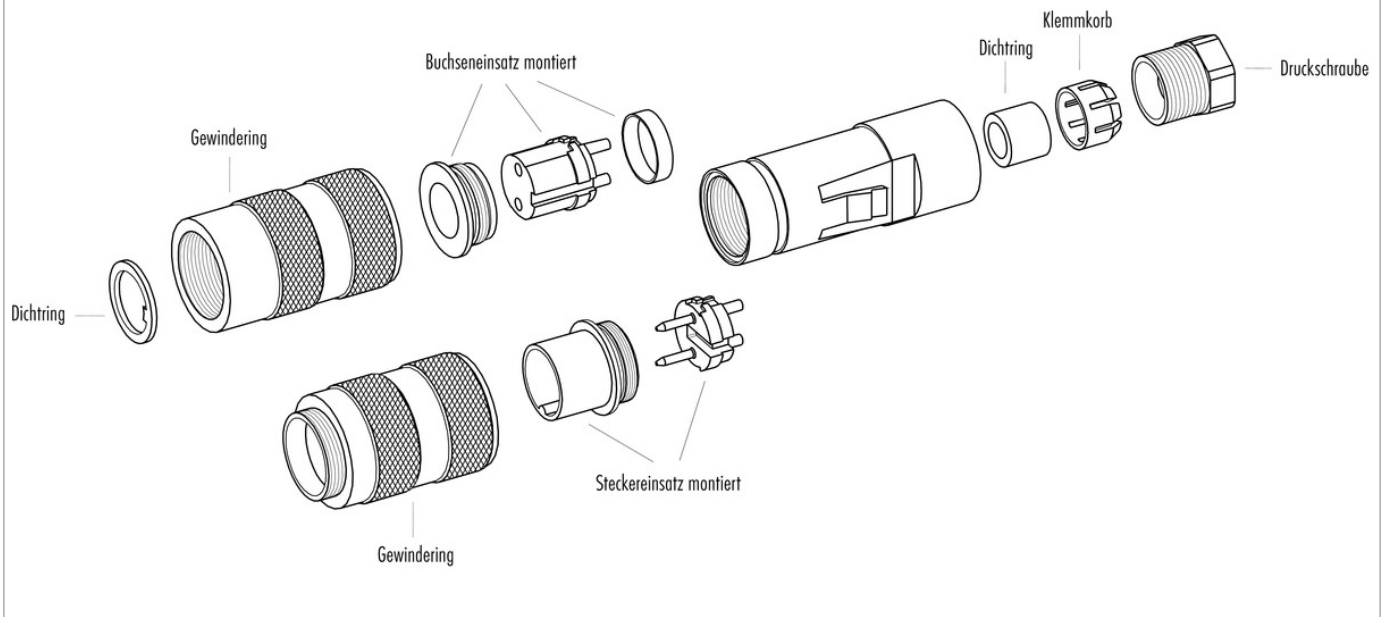
| | |
|-----------------------|---|
| Housing material | PA |
| Contact body material | PBT (UL94 V-0) |
| Contact material | CuZn (brass) |
| Contact plating | Ag (silver) |
| REACH SVHC | CAS 96-45-7 (Imidazolidine-2-thione) CAS 7439-92-1 (Lead) |

Classifications

| | |
|-------------|-------------|
| eCl@ss 11.1 | 27-44-01-09 |
| ETIM 7.0 | EC003569 |

| | |
|---------------------|--|
| Product description | M16 IP67 male cable connector, Contacts: 5, 6.0 - 8.0 mm, unshielded, solder, IP67 |
| Area | M16 IP67 series 723 |
| Order number | 09 0113 70 05 |

Component part drawing



| | |
|---------------------|--|
| Product description | M16 IP67 male cable connector, Contacts: 5, 6.0 - 8.0 mm, unshielded, solder, IP67 |
| Area | M16 IP67 series 723 |
| Order number | 09 0113 70 05 |

Security notices

The connector must not be plugged or unplugged under load. Non-observance and improper use can result in personal injury.

The connectors have been developed for applications in plant engineering, control and electrical equipment construction. The user is responsible for checking whether the connectors can also be used in other areas of application.

Connectors which are used in circuits with voltages dangerous to the touch may only be installed and used by, or under the supervision of, persons with electrical engineering training, taking into account the applicable regulations and standards.

Plug connectors with enclosure protection IP 67 and IP 68 are not suitable for use under water. When used outdoors, the plug connectors must be protected separately against corrosion. For further information on the IP protection classes, please refer to the "Technical Information" download centre. The plug connector is not suitable for mains voltages. Please observe the pollution degree and the overvoltage category. For further information, please refer to the download center "Technical Information".

To lock the cable connector with the device connector, the threaded ring is tightened "hand-tight" (approx. 50 cNm).