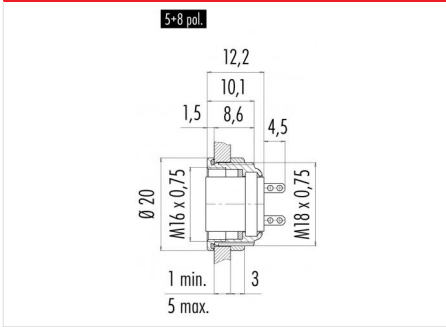


Product description	M16 IP67 female panel mount connector, Contacts: 4, unshielded, solder, IP67, UL
Area	M16 IP67 series 723
Order number	09 0112 00 04

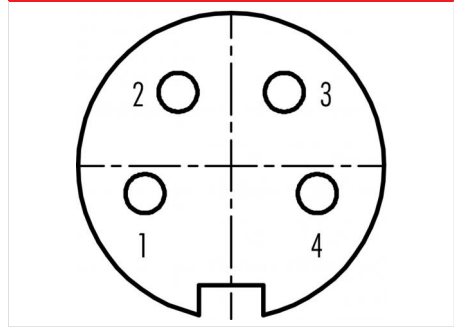
**Illustration**



**Scale drawing**



**Contact arrangement (Plug-in side)**



You can find the assembly instructions on the next page.

**Technical data**

**General features**

Order number	09 0112 00 04
Connector design	female panel mount connector
Version	connector female straight screw
Connector locking system	solder
Termination	IP67
Degree of protection	0.75 mm <sup>2</sup> / AWG 18
Cross-sectional area	-40 °C / 95 °C
Temperature range from/to	> 500 Mating cycles
Mechanical operation	9.662
Weight (g)	85369010
Customs tariff number	

**Electrical parameters**

Rated voltage	250 V
Rated impulse voltage	1500 V
Rated current (40 °C)	6 A
Insulation resistance	≥ 10 <sup>10</sup> Ω
Pollution degree	1
Overvoltage category	I
Insulating material group	III
EMC compliance	unshielded

**Material**

Housing material	Zinc die-cast nickel-plated
Contact body material	PBT (UL94 V-0)
Contact material	CuSn (bronze)
Contact plating	Ag (silver)
REACH SVHC	CAS 7439-92-1 (Lead)

**Authorization/approvals**

Approval 1	UL
------------	----

**Classifications**

eCl@ss 11.1	27-44-01-09
ETIM 7.0	EC003569

Product description	M16 IP67 female panel mount connector, Contacts: 4, unshielded, solder, IP67, UL
Area	M16 IP67 series 723
Order number	09 0112 00 04

Assembly instructions / Panel cut-out



Product description	M16 IP67 female panel mount connector, Contacts: 4, unshielded, solder, IP67, UL
Area	M16 IP67 series 723
Order number	09 0112 00 04

## Security notices

The connector must not be plugged or unplugged under load. Non-observance and improper use can result in personal injury.

The connectors have been developed for applications in plant engineering, control and electrical equipment construction. The user is responsible for checking whether the connectors can also be used in other areas of application.

Plug connectors with enclosure protection IP 67 and IP 68 are not suitable for use under water. When used outdoors, the plug connectors must be protected separately against corrosion. For further information on the IP protection classes, please refer to the "Technical Information" download centre. The plug connector is not suitable for mains voltages. Please observe the pollution degree and the overvoltage category. For further information, please refer to the download center "Technical Information".