



Main

Range of product	Modicon X80
Product or component type	Analog input module
Electrical connection	40 ways 1 connector
Isolation between channels	Isolated
Input level	Low level
Analogue input number	4
Analogue input type	Voltage +/- 1.28 V Voltage +/- 160 mV Voltage +/- 320 mV Voltage +/- 40 mV Voltage +/- 640 mV Voltage +/- 80 mV Resistor 400 Ohm 2 wires Resistor 400 Ohm 3 wires Resistor 400 Ohm 4 wires Resistor 4000 Ohm 2 wires Resistor 4000 Ohm 3 wires Resistor 4000 Ohm 4 wires Temperature probe -100...+260 °C Cu 10 Temperature probe -100...+450 °C Pt 100 conforming to UL/JIS Temperature probe -100...+450 °C Pt 1000 conforming to UL/JIS Temperature probe -200...+850 °C Pt 100 conforming to IEC Temperature probe -200...+850 °C Pt 1000 conforming to IEC Temperature probe -60...+180 °C Ni 100 Temperature probe -60...+180 °C Ni 1000 Thermocouple +130...+1820 °C thermocouple B Thermocouple +270...+1300 °C thermocouple N Thermocouple -200...+600 °C thermocouple U Thermocouple -200...+760 °C thermocouple J Thermocouple -200...+900 °C thermocouple L Thermocouple -270...+1000 °C thermocouple E Thermocouple -270...+1370 °C thermocouple K Thermocouple -270...+400 °C thermocouple T Thermocouple -50...+1769 °C thermocouple R Thermocouple -50...+1769 °C thermocouple S

Disclaimer: This documentation is not intended as a substitute for and is not to be used for determining suitability or reliability of these products for specific user applications.

Complementary

Analog/Digital conversion	Sigma delta 16 bits
Analogue input resolution	15 bits + sign
Input impedance	10 MOhm
Permitted overload on inputs	+/- 7.5 V +/- 1.28 V +/- 7.5 V +/- 160 mV +/- 7.5 V +/- 320 mV +/- 7.5 V +/- 40 mV +/- 7.5 V +/- 640 mV +/- 7.5 V +/- 80 mV
Common mode rejection	120 dB 50/60 Hz
Differential mode rejection	60 dB 50/60 Hz
Cold junction compensation	External by Pt100 probe
Type of filter	First order digital filtering
Nominal read cycle time	400 ms with temperature probe 200 ms with thermocouple
Measurement error	+/- 0.7 °C Ni 1000 25 °C +/- 1.3 °C Ni 1000 0...60 °C +/- 2 °C Pt 100 0...60 °C +/- 2 °C Pt 1000 0...60 °C +/- 2.1 °C Ni 100 25 °C +/- 2.1 °C Pt 100 25 °C +/- 2.1 °C Pt 1000 25 °C +/- 2.7 °C thermocouple U 25 °C +/- 2.8 °C thermocouple J 25 °C +/- 3 °C Ni 100 0...60 °C +/- 3 °C thermocouple L 25 °C +/- 3.2 °C thermocouple R 25 °C +/- 3.2 °C thermocouple S 25 °C +/- 3.5 °C thermocouple B 25 °C +/- 3.7 °C thermocouple E 25 °C +/- 3.7 °C thermocouple K 25 °C +/- 3.7 °C thermocouple N 25 °C +/- 3.7 °C thermocouple T 25 °C +/- 4 °C Cu 10 0...60 °C +/- 4 °C Cu 10 25 °C +/- 4.5 °C thermocouple J 0...60 °C +/- 4.5 °C thermocouple L 0...60 °C +/- 4.5 °C thermocouple R 0...60 °C +/- 4.5 °C thermocouple S 0...60 °C +/- 4.5 °C thermocouple U 0...60 °C +/- 5 °C thermocouple B 0...60 °C +/- 5 °C thermocouple E 0...60 °C +/- 5 °C thermocouple K 0...60 °C +/- 5 °C thermocouple N 0...60 °C +/- 5 °C thermocouple T 0...60 °C ≤ 0.15 % of full scale +/- 1.28 V 0...60 °C ≤ 0.15 % of full scale +/- 160 mV 0...60 °C ≤ 0.15 % of full scale +/- 320 mV 0...60 °C ≤ 0.15 % of full scale +/- 40 mV 0...60 °C ≤ 0.15 % of full scale +/- 640 mV 0...60 °C ≤ 0.15 % of full scale +/- 80 mV 0...60 °C ≤ 0.2 % of full scale 400 Ohm 0...60 °C ≤ 0.2 % of full scale 4000 Ohm 0...60 °C 0.05 % of full scale +/- 1.28 V 25 °C 0.05 % of full scale +/- 160 mV 25 °C 0.05 % of full scale +/- 320 mV 25 °C 0.05 % of full scale +/- 40 mV 25 °C 0.05 % of full scale +/- 640 mV 25 °C 0.05 % of full scale +/- 80 mV 25 °C 0.12 % of full scale 400 Ohm 25 °C 0.12 % of full scale 4000 Ohm 25 °C
Temperature drift	25 ppm/°C 400 Ohm 25 ppm/°C 4000 Ohm 25 ppm/°C Ni 1000 25 ppm/°C thermocouple B 25 ppm/°C thermocouple E 25 ppm/°C thermocouple J 25 ppm/°C thermocouple K

	25 ppm/°C thermocouple L 25 ppm/°C thermocouple N 25 ppm/°C thermocouple R 25 ppm/°C thermocouple S 25 ppm/°C thermocouple T 25 ppm/°C thermocouple U 30 ppm/°C +/- 1.28 V 30 ppm/°C +/- 160 mV 30 ppm/°C +/- 320 mV 30 ppm/°C +/- 40 mV 30 ppm/°C +/- 640 mV 30 ppm/°C +/- 80 mV 30 ppm/°C Cu 10 30 ppm/°C Ni 100 30 ppm/°C Pt 100 30 ppm/°C Pt 1000
Recalibration	Internal
Isolation voltage	1400 V DC between channels and bus 750 V DC between channels 750 V DC between channels and ground
Detection type	Open circuit Cu 10 Open circuit Ni 100 Open circuit Ni 1000 Open circuit Pt 100 Open circuit Pt 1000 Open circuit thermocouple B Open circuit thermocouple E Open circuit thermocouple J Open circuit thermocouple K Open circuit thermocouple L Open circuit thermocouple N Open circuit thermocouple R Open circuit thermocouple S Open circuit thermocouple T Open circuit thermocouple U
Maximum wiring resistance	20 Ohm 2 wires Cu 10 20 Ohm 2 wires Ni 100 20 Ohm 2 wires Pt 100 20 Ohm 3 wires Cu 10 20 Ohm 3 wires Ni 100 20 Ohm 3 wires Pt 100 200 Ohm 2 wires Ni 1000 200 Ohm 2 wires Pt 1000 200 Ohm 3 wires Ni 1000 200 Ohm 3 wires Pt 1000 50 Ohm 4 wires Cu 10 50 Ohm 4 wires Ni 100 50 Ohm 4 wires Pt 100 500 Ohm 4 wires Ni 1000 500 Ohm 4 wires Pt 1000
Measurement resolution	0.1 °C Cu 10 0.1 °C Ni 100 0.1 °C Ni 1000 0.1 °C Pt 100 0.1 °C Pt 1000 0.1 °C thermocouple B 0.1 °C thermocouple E 0.1 °C thermocouple J 0.1 °C thermocouple K 0.1 °C thermocouple L 0.1 °C thermocouple N 0.1 °C thermocouple R 0.1 °C thermocouple S 0.1 °C thermocouple T 0.1 °C thermocouple U 1280/2exp14 mV +/- 1.28 V 160/2exp14 mV +/- 160 mV 320/2exp14 mV +/- 320 mV 40/2exp14 mV +/- 40 mV 40/2exp14 mV 400 Ohm 4000/2exp14 mV 4000 Ohm 640/2exp14 mV +/- 640 mV 80/2exp14 mV +/- 80 mV

Maximum conversion value	+/- 100 % 400 Ohm +/- 100 % 4000 Ohm +/- 102.5 % +/- 1.28 V +/- 102.5 % +/- 160 mV +/- 102.5 % +/- 320 mV +/- 102.5 % +/- 40 mV +/- 102.5 % +/- 640 mV +/- 102.5 % +/- 80 mV
Protective treatment	TC
Operating altitude	0...2000 m 2000...5000 m with derating factor
Status LED	1 LED (green)RUN: 1 LED per channel (green)channel diagnostic: 1 LED (red)ERR: 1 LED (red)I/O:
Net weight	0.135 kg
Current consumption	150 mA at 3.3 V DC 40 mA at 24 V DC

Environment

Vibration resistance	3 gn
Shock resistance	30 gn
Ambient air temperature for storage	-40...85 °C
Ambient air temperature for operation	0...60 °C
Relative humidity	5...95 % at 55 °C without condensation
IP degree of protection	IP20
Directives	2014/35/EU - low voltage directive 2014/30/EU - electromagnetic compatibility 2012/19/EU - WEEE directive
Product certifications	EAC RCM UL Merchant Navy CSA CE
Standards	EN 61131-2 EN 61000-6-4 EN 61000-6-2 EN 61010-2-201

Offer Sustainability

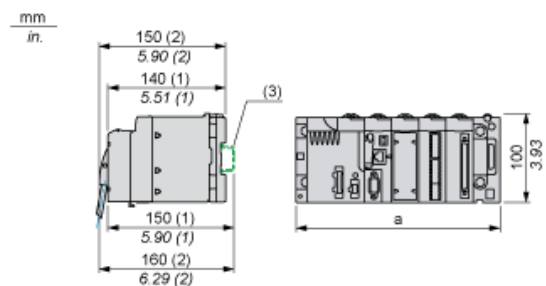
Sustainable offer status	Green Premium product
REACH Regulation	REACH Declaration
EU RoHS Directive	Pro-active compliance (Product out of EU RoHS legal scope) EU RoHS Declaration
Mercury free	Yes
RoHS exemption information	Yes
China RoHS Regulation	China RoHS declaration
Environmental Disclosure	Product Environmental Profile
Circularity Profile	End of Life Information
WEEE	The product must be disposed on European Union markets following specific waste collection and never end up in rubbish bins

Contractual warranty

Warranty	18 months
----------	-----------

Modules Mounted on Racks

Dimensions



- (1) With removable terminal block (cage, screw or spring).
- (2) With FCN connector.
- (3) On AM1 ED rail: 35 mm wide, 15 mm deep. Only possible with BMXXBP0400/0400H/0600/0600H/0800/0800H rack.

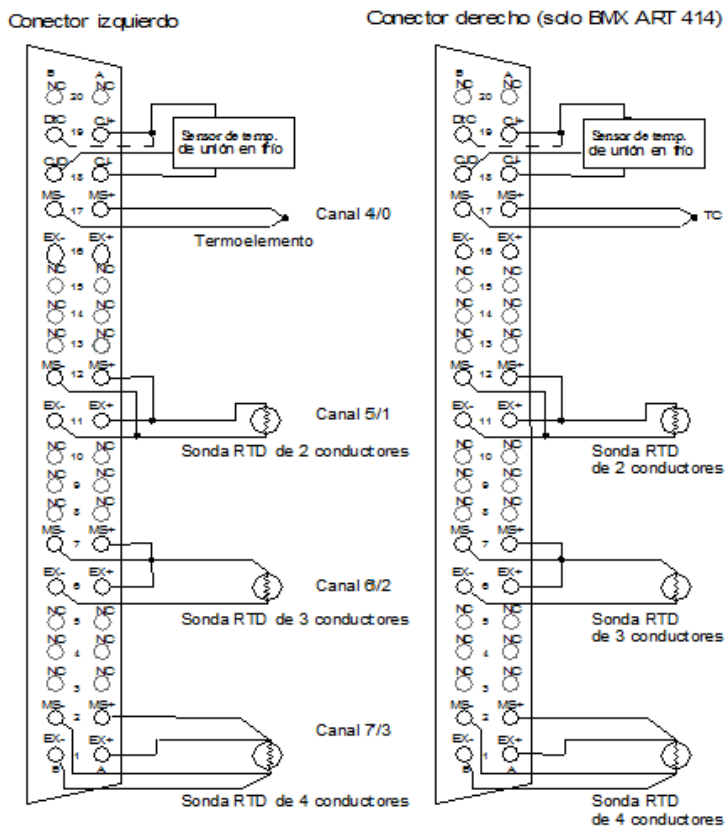
Rack references	a in mm	a in in.
BMXXBP0400 and BMXXBP0400H	242.4	09.54
BMXXBP0600 and BMXXBP0600H	307.6	12.11
BMXXBP0800 and BMXXBP0800H	372.8	14.68
BMXXBP1200 and BMXXBP1200H	503.2	19.81

Wiring Diagram

Below example shows a probe configuration with:

- Channel 0/4: Thermocouple
- Channel 1/5: 2-wires RTD
- Channel 2/6: 3-wires RTD
- Channel 3/7: 4-wires RTD

Vista frontal del modulo: vista del cableado



- MS+ Thermocouple + input
 - MS- Thermocouple - input
 - EX+ RTD probe current generator + output
 - EX- RTD probe current generator - output
 - NC Not connected
 - DiC The CJC sensor detection input is connected to CJ+ if the sensor type is DS600. It is not connected (NC) if the sensor type is LM31.
- NOTE: The CJC sensor is needed for TC only.