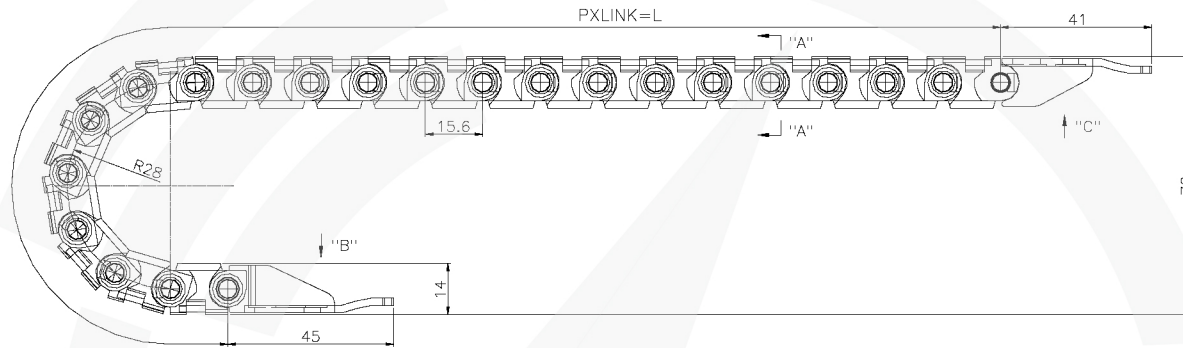
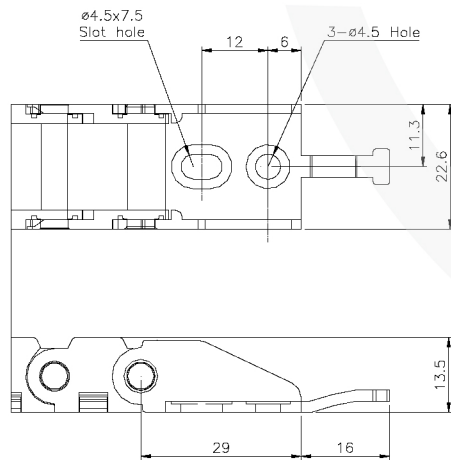


KDP16 W15 R28

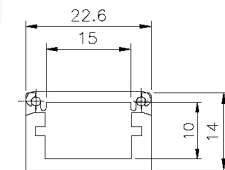
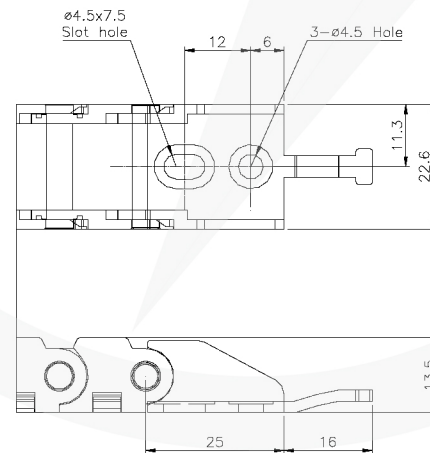
MARK	DATE	REVISION	REASON	SIGNATURE
1				
2				



VIEW-B
FIXED BRACKET(S=1.5:1)



VIEW-C
MOVING BRACKET(S=1.5:1)



SECTION A-A (S=1.5:1)

NAME	PROJECT CABLE CARRIER ASS'Y			
	TITLE KDP16 W15 R28		DATE 2011.03.29	
D.W.G	D.S.G.N	SCALE	DWG NO.	SHEET NO.
Y.G.NOH		1/1	KD-1103-29-031	01 / 01
G.H.K	APP.D S.K.LEE			
KODUCT CO.,Ltd				