

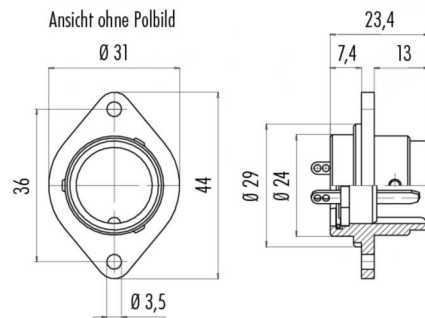
Product description **Bayonet male panel mount connector, Contacts: 5, shielding is not possible, solder, IP40**

Area **Bayonet series 690**  
Order number **09 0061 00 05**

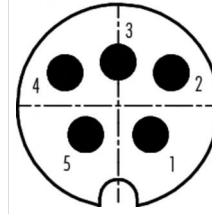
### Illustration



### Scale drawing



### Contact arrangement



	X	Y
1	3,05	-2,70
2	5,00	3,10
3	0,00	4,10
4	-5,00	3,10
5	-3,05	-2,70

**You can find the component part drawing and assembly instructions on the next page.**

## Technical data

### General values

Connector design	male panel mount connector
Connector locking system	Bayonet
Termination	solder
Wire gauge (mm)	2.50 mm <sup>2</sup>
Wire gauge (AWG)	14
Upper limit temperature	85 °C
Lower limit temperature	- 40 °C
Customs tariff number	85369010
Packaging Unit	10

### Electrical values

Rated current (40 °C)	10 A
Rated voltage	250 V
Rated impulse voltage	2500 V
Pollution degree	1
Overvoltage category	II
Insulating material group	III
Insulation resistance	≥ 10 <sup>10</sup> Ω
EMC compliance	shielding is not possible
Degree of protection	IP40
Mechanical operation	> 50 Mating cycles

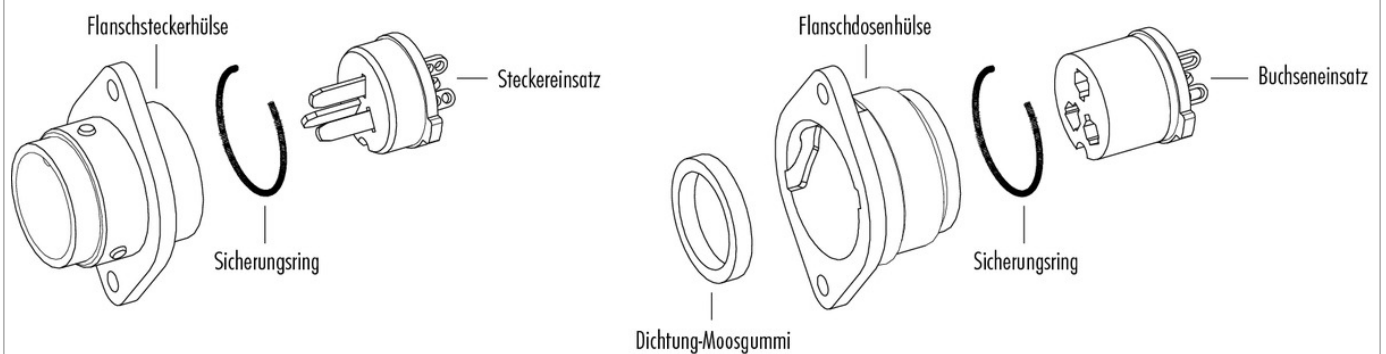
### Material

Contact material	CuZn (brass)
Contact plating	Ag (silver)
Contact body material	PBT (UL94 V-0)
Housing material	PBT

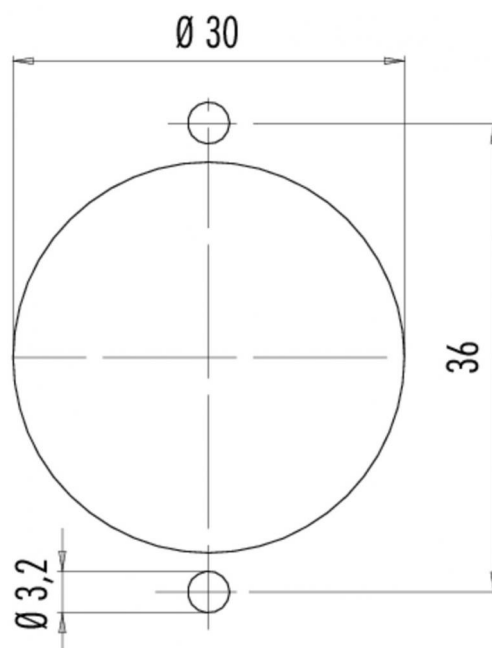
Product description **Bayonet male panel mount connector, Contacts: 5, shielding is not possible, solder, IP40**

Area **Bayonet series 690**  
Order number **09 0061 00 05**

### Component part drawing



### Assembly instructions / Panel cut-out



Product description	<b>Bayonet male panel mount connector, Contacts: 5, shielding is not possible, solder, IP40</b>
Area	<b>Bayonet series 690</b>
Order number	<b>09 0061 00 05</b>

## Security notices

The connector must not be connected or separated under load. Non-observance and incorrect use can result in personal injury.

The connectors are designed for use in plant, control system and electrical equipment. The end user is responsible for checking whether the connectors are suitable for use in other applications.