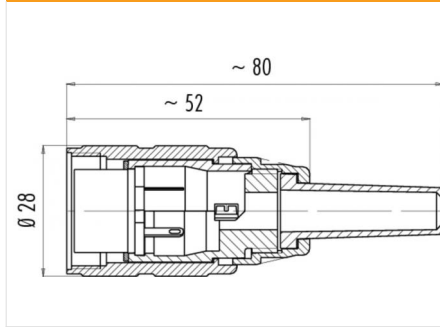


Product description **M25 female cable connector, Contacts: 7, 5.0 - 8.0 mm, shielding is not possible, solder, IP40**
 Area **M25 series 691**
 Order number **09 0042 00 07**

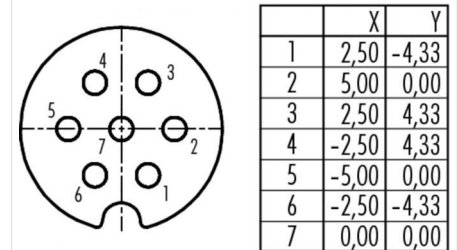
Illustration



Scale drawing



Contact arrangement



You can find the component part drawing on the next page.

Technical data

General values

Connector design female cable connector
 Connector locking system screw
 Termination solder
 Wire gauge (mm) 0.75 mm²
 Wire gauge (AWG) 18
 Cable outlet 5.0 - 8.0 mm
 Upper limit temperature 85 °C
 Lower limit temperature -40 °C
 Customs tariff number 85369010
 Packaging Unit 10

Electrical values

Rated current (40 °C) 5 A
 Rated voltage 250 V
 Rated impulse voltage 2500 V
 Pollution degree 1
 Overvoltage category II
 Insulating material group III
 Insulation resistance $\geq 10^{10} \Omega$
 EMC compliance shielding is not possible
 Degree of protection IP40
 Mechanical operation > 50 Mating cycles

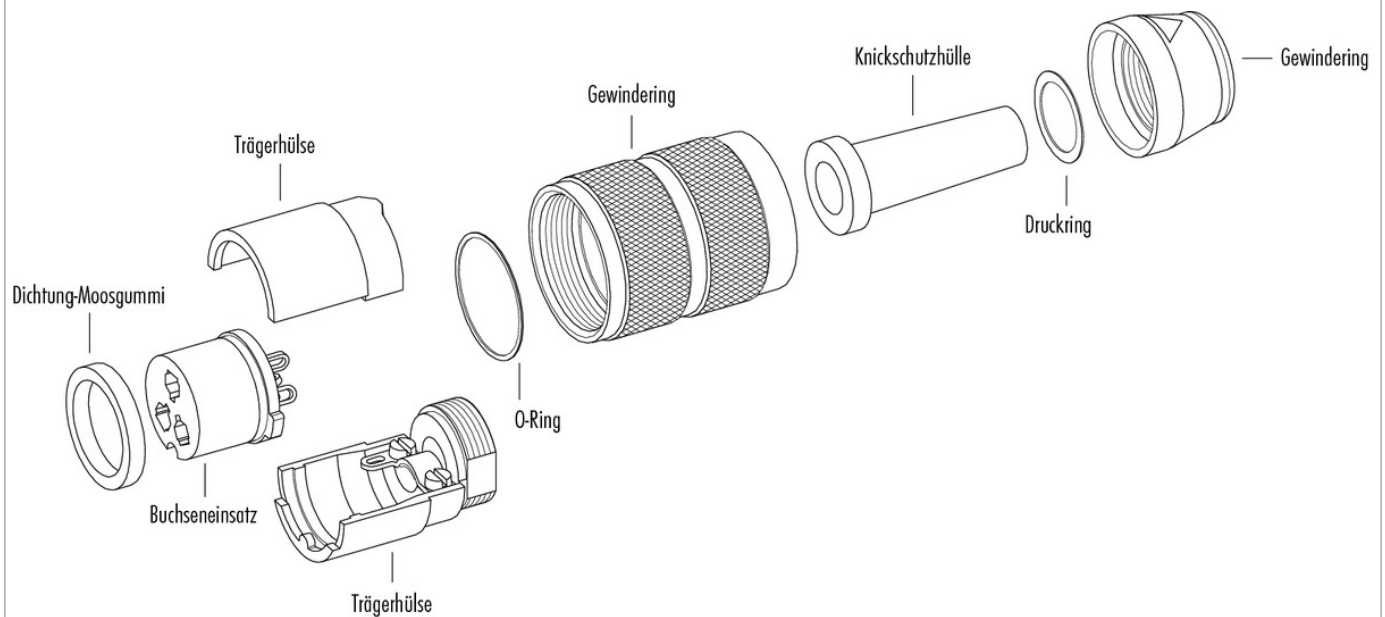
Material

Contact material CuZn (brass)
 Contact plating Ag (silver)
 Contact body material PET (UL94 V-0)
 Housing material GD-AL eloxiert

Product description **M25 female cable connector, Contacts: 7, 5.0 - 8.0 mm, shielding is not possible, solder, IP40**

Area **M25 series 691**
Order number **09 0042 00 07**

Component part drawing



Product description	M25 female cable connector, Contacts: 7, 5.0 - 8.0 mm, shielding is not possible, solder, IP40
Area	M25 series 691
Order number	09 0042 00 07

Security notices

The connector must not be connected or separated under load. Non-observance and incorrect use can result in personal injury.

The connectors are designed for use in plant, control system and electrical equipment. The end user is responsible for checking whether the connectors are suitable for use in other applications.

To prevent the connector being opened unintentionally when used in electrical circuits containing hazardous life parts, the thread between the housing and the connector head must be secured using a suitable cyanoacrylate adhesive. This does not apply to connectors used in SELV and PELV circuits according to IEC 61140 (EN 61140, VDE 0140-1).

Connectors used in electrical circuits containing hazardous life parts must only be assembled and used by or under the supervision of persons with the requisite electrotechnical training, taking the applicable regulations and standards into account.

To lock the cable connector to the equipment connector, the threaded ring is tightened until it is 'finger-tight' (approx. 50 cNm).