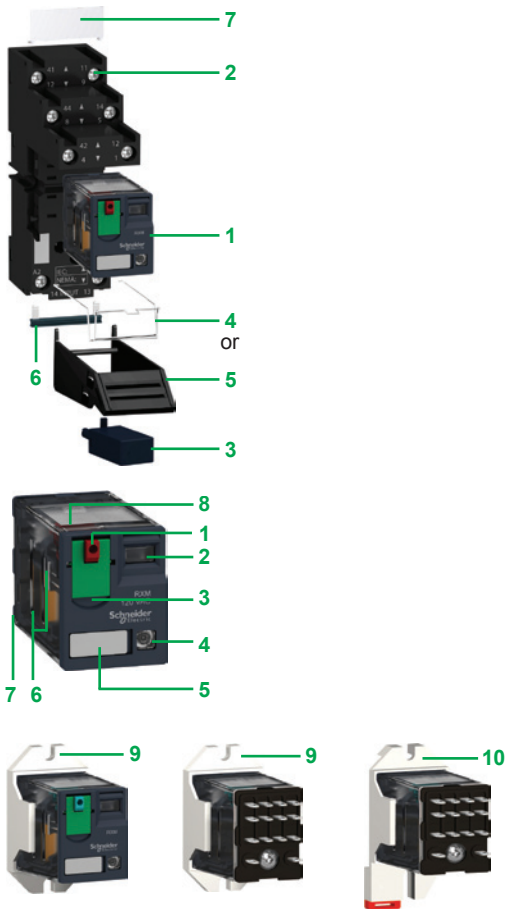


2

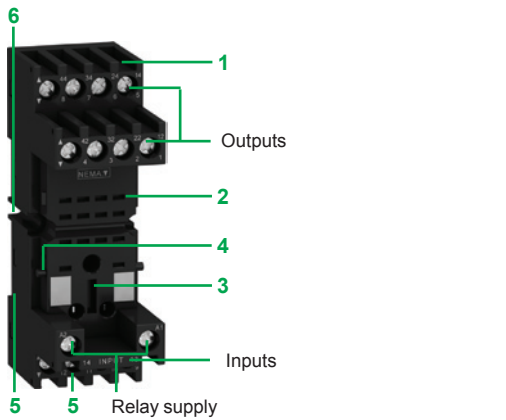


Presentation of the range

- The RXM miniature relay range comprises:
- 1 12 A relays with 2 CO contacts, 10 A relays with 3 CO contacts, 6 A relays with 4 CO contacts, and 3 A "low level" relays with 4 CO contacts (all these relays have the same dimensions)
 - 2 Sockets with mixed or separate contact terminals
 - 3 Protection modules (diode, RC circuit, or varistor) common to all sockets
 - 4 Metal maintaining clamp for all sockets
 - 5 Plastic maintaining clamp for all sockets
 - 6 2-pole bus jumper that can be used on sockets with separate contact terminals in order to simplify cabling when creating an equipotential link between the coil terminals
 - 7 Clip-in legends for all sockets except **RXZE2M114** and **RXZE2S114S**

Relay description

- 1 Spring-return pushbutton for testing the contacts (green: $\overline{\text{---}}$, red: \sim)
- 2 Mechanical "relay status" indicator
- 3 Removable lock-down door enabling forced maintaining of the contacts for test sequences or maintenance purposes
- 4 LED (depending on version) indicating the relay status
- 5 Removable legend for relay identification
- 6 4 notches for rail mounting adapter or panel mounting adapter with mounting lugs
- 7 8, 11, or 14 Faston type pins
- 8 Area by which the product can be easily gripped
- 9 Mounting adapter enabling direct mounting of the relay on a panel
- 10 Mounting adapter enabling direct mounting of the relay on a DIN rail

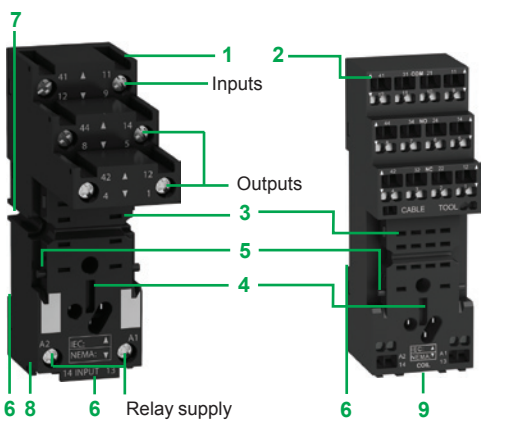


Sockets with mixed contact terminals

Socket description

Sockets with mixed contact terminals (1)

- 1 Connection by screw clamp terminals or screw connector
- 2 14 female contacts for the relay pins
- 3 Location for protection modules
- 4 Locking components for plastic and metal maintaining clamps
- 5 Locating slot for mounting on DIN rail with compression spring or mounting clip
- 6 2 or 4 holes for panel mounting



Sockets with separate contact terminals

Sockets with separate contact terminals (2)

- 1 Connection by screw connector
- 2 Connection by push-in spring clamp terminals (no tool \otimes required to insert the cable)
- 3 8, 11, or 14 female contacts for the relay pins
- 4 Location for protection modules
- 5 Locking components for plastic and metal maintaining clamps
- 6 Locating slot for mounting on DIN rail with compression spring or mounting clip
- 7 2 holes for panel mounting
- 8 Location for bus jumpers (see dimensions for mounting on sockets on www.schneider-electric.com)
- 9 Location for clip-in legend

(1) The inputs are mixed with the relay supply, with the outputs being located on the opposite side of the socket.

(2) The inputs and outputs are separate from the relay supply.



RXM2AB1BD



RXM2AB1F7



RXM2AB2ED



RXM2AB2F7

Miniature relays without LED (sold in lots of 10)

Control circuit voltage	Number and type of contacts - Thermal current (Ith)					
	2 CO - 12 A		3 CO - 10 A		4 CO - 6 A	
	Unit reference	Weight	Unit reference	Weight	Unit reference	Weight
V		kg/lb		kg/lb		kg/lb
--- 12	RXM2AB1JD	0.037/ 0.082	RXM3AB1JD	0.037/ 0.082	RXM4AB1JD	0.037/ 0.082
--- 24	RXM2AB1BD	0.037/ 0.082	RXM3AB1BD	0.037/ 0.082	RXM4AB1BD	0.037/ 0.082
--- 48	RXM2AB1ED	0.037/ 0.082	RXM3AB1ED	0.037/ 0.082	RXM4AB1ED	0.037/ 0.082
--- 110	RXM2AB1FD	0.037/ 0.082	RXM3AB1FD	0.037/ 0.082	RXM4AB1FD	0.037/ 0.082
--- 220	-	-	-	-	RXM4AB1MD	0.037/ 0.082
~ 24	RXM2AB1B7	0.037/ 0.082	RXM3AB1B7	0.037/ 0.082	RXM4AB1B7	0.037/ 0.082
~ 48	RXM2AB1E7	0.037/ 0.082	RXM3AB1E7	0.037/ 0.082	RXM4AB1E7	0.037/ 0.082
~ 120	RXM2AB1F7	0.037/ 0.082	RXM3AB1F7	0.037/ 0.082	RXM4AB1F7	0.037/ 0.082
~ 230	RXM2AB1P7	0.037/ 0.082	RXM3AB1P7	0.037/ 0.082	RXM4AB1P7	0.037/ 0.082
~ 240	-	-	-	-	RXM4AB1U7	0.037/ 0.082

Miniature relays with LED (sold in lots of 10)

--- 12	RXM2AB2JD	0.037/ 0.082	RXM3AB2JD	0.037/ 0.082	RXM4AB2JD	0.037/ 0.082
--- 24	RXM2AB2BD	0.037/ 0.082	RXM3AB2BD	0.037/ 0.082	RXM4AB2BD	0.037/ 0.082
--- 48	RXM2AB2ED	0.037/ 0.082	RXM3AB2ED	0.037/ 0.082	RXM4AB2ED	0.037/ 0.082
--- 110	RXM2AB2FD	0.037/ 0.082	RXM3AB2FD	0.037/ 0.082	RXM4AB2FD	0.037/ 0.082
--- 125	-	-	-	-	RXM4AB2GD	0.037/ 0.082
~ 24	RXM2AB2B7	0.037/ 0.082	RXM3AB2B7	0.037/ 0.082	RXM4AB2B7	0.037/ 0.082
~ 48	RXM2AB2E7	0.037/ 0.082	RXM3AB2E7	0.037/ 0.082	RXM4AB2E7	0.037/ 0.082
~ 120	RXM2AB2F7	0.037/ 0.082	RXM3AB2F7	0.037/ 0.082	RXM4AB2F7	0.037/ 0.082
~ 230	RXM2AB2P7	0.037/ 0.082	RXM3AB2P7	0.037/ 0.082	RXM4AB2P7	0.037/ 0.082

2



RXM4GB1BD



RXM4GB1P7



RXM4GB2BD



RXM4GB2F7

Miniature relays with low level contacts, without LED (sold in lots of 10)

Control circuit voltage	Number and type of contacts Thermal current (Ith) 4 CO - 3 A	Weight	
		Unit reference	kg/lb
V			
--- 12		RXM4GB1JD	0.037/0.082
--- 24		RXM4GB1BD	0.037/0.082
--- 48		RXM4GB1ED	0.037/0.082
--- 110		RXM4GB1FD	0.037/0.082
~ 24		RXM4GB1B7	0.037/0.082
~ 48		RXM4GB1E7	0.037/0.082
~ 120		RXM4GB1F7	0.037/0.082
~ 230		RXM4GB1P7	0.037/0.082

Miniature relays with low level contacts, with LED (sold in lots of 10)

--- 12		RXM4GB2JD	0.037/0.082
--- 24		RXM4GB2BD	0.037/0.082
--- 48		RXM4GB2ED	0.037/0.082
--- 60		RXM4GB2ND	0.037/0.082
--- 110		RXM4GB2FD	0.037/0.082
--- 125		RXM4GB2GD	0.037/0.082
--- 220		RXM4GB2MD	0.037/0.082
~ 24		RXM4GB2B7	0.037/0.082
~ 48		RXM4GB2E7	0.037/0.082
~ 120		RXM4GB2F7	0.037/0.082
~ 230		RXM4GB2P7	0.037/0.082
~ 240		RXM4GB2U7	0.037/0.082

PF15537A



RXZE2M114M
+
Relay RXM4AB1F7

PF10601B



RXM041007

PF15165Z



REXL400

PF15550A



RXZS2

PF155351



RXZE2DA

PF15528A



RXZ400

PF15533A



RXZL520

Sockets					
Contact terminal arrangement	Connection	Relay type	Sold in lots of	Unit reference	Weight kg/lb
Mixed	Screw clamp terminals	RXM2●●●●● (3) RXM4●●●●●	10	RXZE2M114 (1)	0.048/0.106
	Screw connector	RXM2●●●●● (3) RXM4●●●●●	10	RXZE2M114M (1)	0.056/0.124
Separate	Spring clamp terminals	RXM2●●●●● (3) RXM4●●●●●	10	RXZE2S114S (2)	0.070/0.154
	Screw connector	RXM2●●●●●	10	RXZE2S108M (2)	0.058/0.128
		RXM3●●●●●	10	RXZE2S111M (1)	0.066/0.146
		RXM4●●●●●	10	RXZE2S114M (1)	0.070/0.154

Protection modules					
Description	Voltage	For use with	Sold in lots of	Unit reference	Weight kg/lb
	V				
Diode	~ 6...250	All sockets	10	RXM040W	0.003/0.007
RC circuit	~ 24...60	All sockets	10	RXM041BN7	0.010/0.022
	~ 110...240	All sockets	10	RXM041FU7	0.010/0.022
Varistor	~ 6...24	All sockets	10	RXM021RB	0.030/0.066
	~ 24...60	All sockets	10	RXM021BN	0.030/0.066
	~ 110...240	All sockets	10	RXM021FP	0.030/0.066

Timing relays				
Description	For use with	Unit reference	Weight kg/lb	
2 or 4 timed CO contacts (function A)	RXZE●●●●● sockets	REXL2●● (4) REXL4●● (4)	–	–

Accessories				
Description	For use with	Sold in lots of	Unit reference	Weight kg/lb
Metal maintaining clamp	All sockets	10	RXZ400	0.001/0.002
Plastic maintaining clamp	All sockets	10	RXZR335	0.005/0.011
2-pole bus jumper (lth: 5 A)	All sockets with separate contacts	10	RXZS2	0.005/0.011
Mounting adapter for D rails (5)	All relays	10	RXZE2DA	0.004/0.009
Mounting adapter with panel mounting lugs	All relays	10	RXZE2FA	0.002/0.004
Clip-in legends	All relays (sheet of 108 legends)	10	RXZL520	0.080/0.176
	All sockets except RXZE2M114 and RXZE2S114S	10	RXZL420	0.001/0.002
	RXZE2S114S socket	10	RSZL300	0.001/0.002

(1) Thermal current (lth): 10 A.

(2) Thermal current (lth): 12 A.

(3) When mounting relay RXM2●●●●● on socket RXZE2M●●●●●, the thermal current should not exceed 10 A.

(4) Please refer to "Zelio Time timing relays" catalog.

(5) Test button becomes inaccessible.