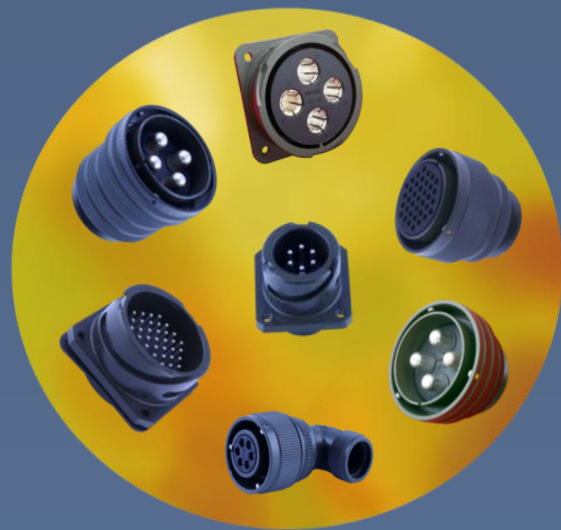


Military & Industrial CONNECTORS

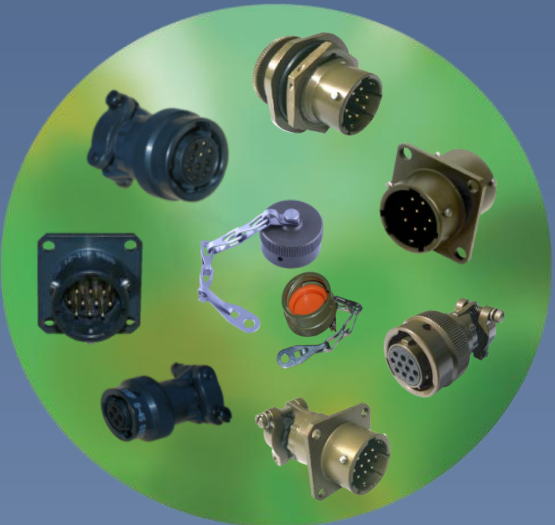
Mil-C-5015, 26482 & VG95234 Style
Standard & Miniature Cylindrical Connectors



YJ 5015 Connectors



YJB 95234 Connectors



YJ 26482 Connectors



YJ Circular Connectors



YONGJIN ELECOMM

<http://www.yjelecomm.com>



Introduction

Military & Industrial Connectors

Over one-and-half decade of experience in interconnectivity manufacturing

YongJin EleComm is a leading company in the industry to provide interconnection products for electrical and power connectivity with experience extending over 15years..

We take pride that YongJin Elecomm has a lot of proven track records of delivering innovative solutions to the industrial market place for communications, heavy equipments, factory automation, transportation and so forth.

We are now offering a broad range of products that can be relied on to meet high quality standards, backup by flexible, dependable services with fast response time.

Our company houses over 100 employees, incorporating state-of-the art manufacturing technologies and this facility is ISO9001 & ISO14001 certified. Our manufacturing capabilities include state-of-the art CNC machining, die-casting, extruding, screw machining and process controls.

We offer more solutions, more options and more choices than any other manufacturer and assist in the design of the products to meet environmental stress such as extreme temperatures, high insertion-forces, vibration and most corrosive environments. Capabilities for in-house testing include engagement/separation force evaluation, durability testing, humidity, thermal shock, salt spray and etc.

Dedicated to meeting customer needs with cost effective and reliable interconnects, our industrial products meet a multitude of industrial applications such as;

- Factory Automation, Robotics
- Machine tool equipment
- Welding equipment
- Instrumentation, Process control
- Mass transportation
- Medical equipment
- Communications
- Power applications, Petro-Chemical



Table of Contents

YJ5015 Series Connectors		Page
General Description		4
Technical Information		5
Ordering Information		6
Wall Mounting Receptacle(YJ3100A)		7
Cable Connecting Plug(YJ3101A)		8
Box Mounting Receptacle(YJ3102A)		9
Straight Plug(YJ3106A)		10
Right Angle Plug(YJ3108A)		11
Accessories		12
Contact Arrangement		14
Insert Arrangement & Alternate Positioning		21
YJ26482 Series Connectors		
General Description		23
Technical Information		24
Ordering Information		25
Wall Mounting Receptacle(YJ3110) & Termination Assemblies		26
Box Mounting Receptacle(YJ3112) & Thru-Bulkhead Receptacle(YJ3119)		27
Jam Nut Receptacle(YJ3114) & Termination Assemblies		28
Cable Connecting Plug(YJ3111) & Termination Assemblies		29
Straight Plug(YJ3116) & Termination Assemblies		30
Accessories		31
Contact Arrangement / Insert Arrangement & Alternate Positioning		32
YJB95234 Series Connectors		
General Description		34
Technical Information		35
Ordering Information		36
Wall Mounting Receptacle(YJB3100) & Cable Connecting Plug(YJB3101)		37
Box Mounting Receptacle(YJB3102) & Through-bulkhead Recptacle(YJB3109)		38
Straight Plug(YJB3106) & Right Angle Plug,90°(YJB3108)		39
Accessories		40
Contact Arrangement / Insert Arrangement & Alternate Positioning		43
YJ Circular Connectors		
General Description		47
Ordering Information		48
Connector Dimensions(Plug and Receptacle)		49
Contact Arrangement		50

5015

26482

95234

Circular



YJ 5015 Series
General Description
MS Circular Connectors

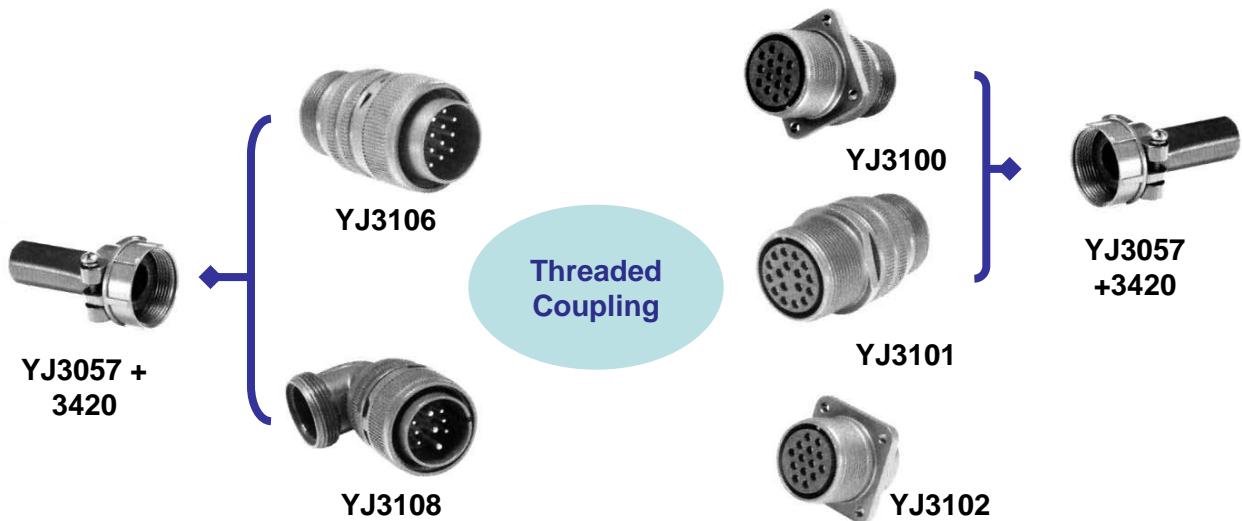
YongJin 5015 Series Connectors General Description



MIL-C-5015 style circular connectors feature threaded couplings and single key/keyway polarization, representing well-proven electrical capability at an acceptable cost for most equipment where durability is important. These connectors were originally developed for the connection of electric and electronic appliances, or military plane, but now they are also used widely in the field of automotive, robotics, machine tools and welding industries, as well as numerous other commercial applications from heavy equipment to miniature electronic devices.

This catalog is prepared on the basis of "A" for general purpose. This family of connectors offers a wide variety of shell styles, contact patterns and accessory options.

Typical Mating Guide



Technical Data

Materials & Finishes

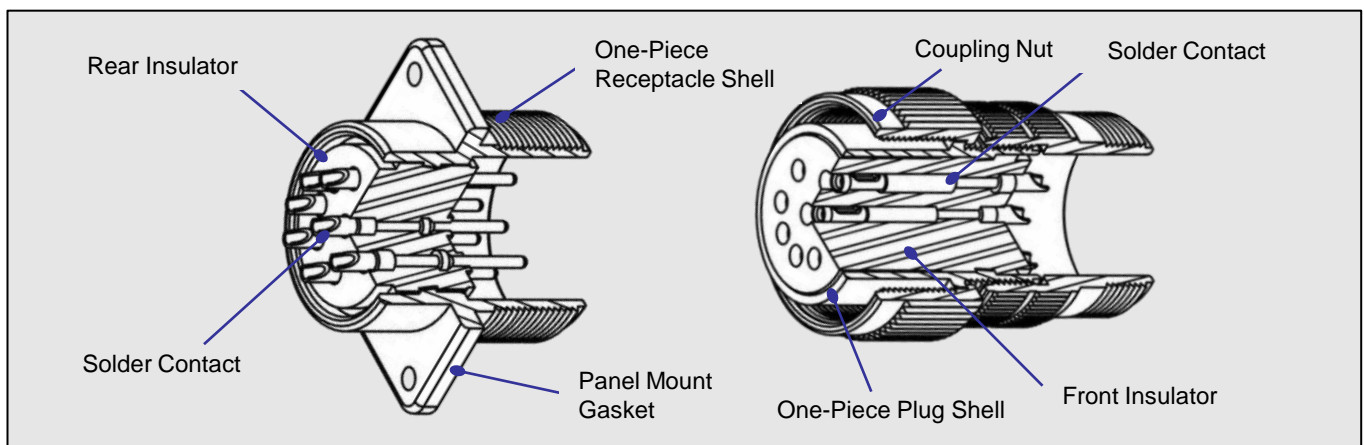
	Materials	Finishes
Shell	Aluminum alloy	Olive drab chromate coating cadmium or Zinc plating *Cadmium free surface coating are available
Contact	Brass or Copper alloy	Silver plating
Insulation	Plastic Resilient Synthetic Rubber	-

Characteristics

Insulation resistance	5,000MΩ, minimum (at 25°C)
Temperature range	-55°C to 125°C
Durability	500cycles connection / disconnection
Degree of water proof	IP 67 (mated pair)

Dielectric withstanding voltage				Contact engagement and separation forces				
Service rating	Test Voltage		Operating Voltage		Contact size	Force in Lbs		
	AC(rms)		AC	DC		Maximum	Average	Minimum
Inst.	1,000		200	250	#16	3.0	2.1	0.25
A	2,000		500	700	#12	5.0	3.5	0.50
D	2,800		900	1,250	#8	10.0	7.0	0.75
E	3,500		1,250	1,750	#4	15.0	10.5	1.0
B	4,500		1,750	2,400	#0	20.0	14.0	2.0
C	7,000		3,000	4,200				

Contact Size			Contact Resistance		Wire Range Accommodations		
Size	Pin contact diam. (mmΦ)	Solder pot diam. (mmΦ)	Test current DC, A	Potential drop ,max. (mV)	A.W.G	Wire nominal Square Size (mm ²)	Dielectric Material Outer diam. (mmΦ)
#16	1.6	2.0	13A	49	#20~#16	≤1.3	1.7~3.3
#12	2.4	3.0	23A	42	#14~#12	≤3.5	2.9~4.3
#8	3.6	5.2	46A	26	#10~#8	≤8.0	4.2~6.4
#4	5.7	8.5	80A	23	#6~#4	≤22.0	7.0~9.4
#0	9.1	12.0	150A	21	#2~#0	≤50.0	10.6~14.0





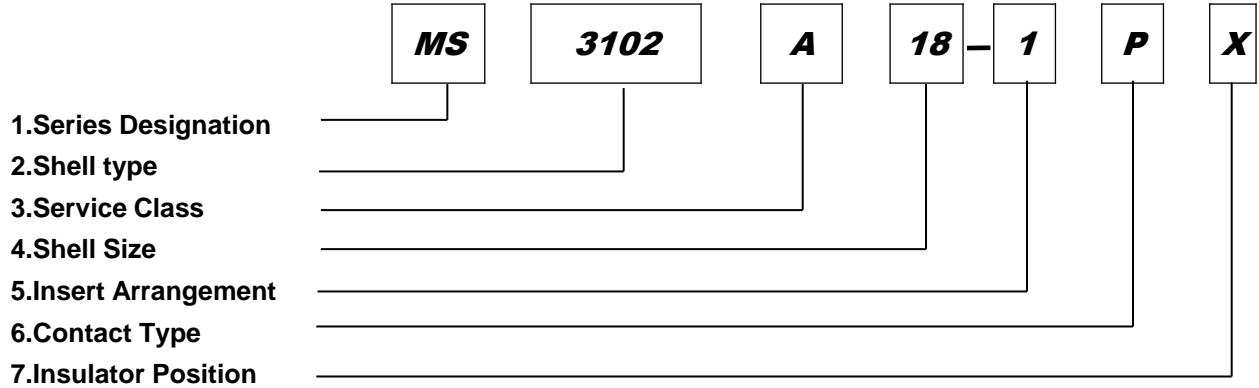
YJ 5015 Series

Ordering Information

MS Circular Connectors

How to order

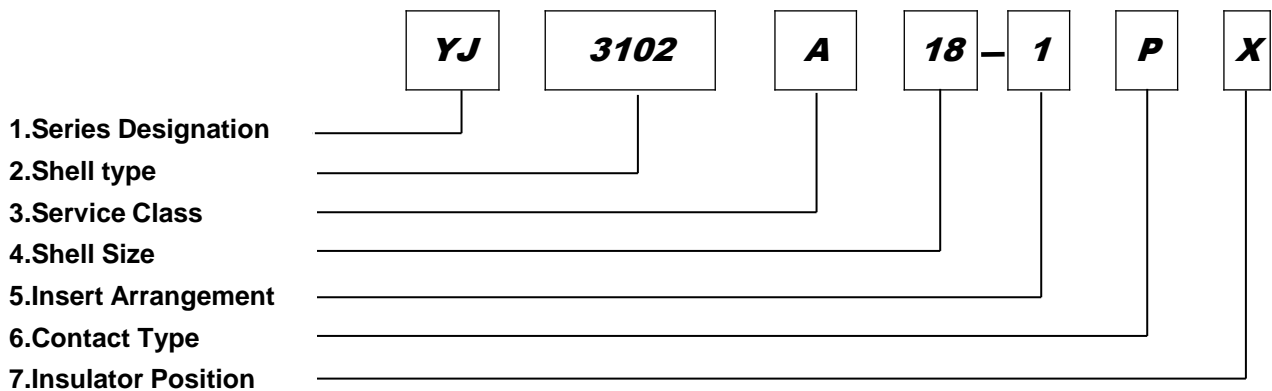
MIL Part Number System



1. Series Designation: MIL-C-5015 Standard
2. Shell type:
 - MS3100 - Wall mounting receptacle,
 - MS3101 - Cable connecting plug,
 - MS3102 - Box mounting receptacle,
 - MS3106 - Straight Plug,
 - MS3108 - Angle Plug
3. Service Class:
 - A: Solid shell for general applications
 - E: Environmental resisting with resilient insulators and integral cable clamp.
 - R: Environmental resisting with resilient insulators **

- **and shortened light weight endbell ;also additional sealing with O-ring under coupling nut in styles 3106 and 3108
- 4. Shell size:
 - 10SL, 12S, 14S, 14, 16S, 16, 18, 20, 22, 24, 28, 32, 36
- 5. Insert arrangement:
 - according to MIL-STD-1651
- 6. Contact type:
 - P- Pin contact, S- Socket contact
- 7. Insulator position:
 - according to MIL-STD-1651

YongJin Part Number System

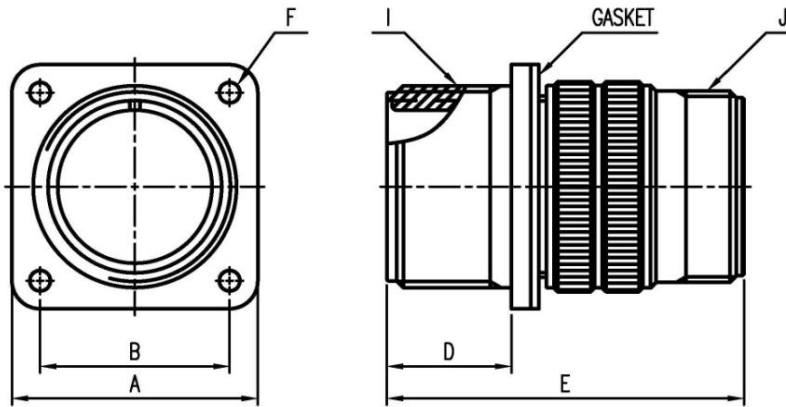


1. Series Designation:
 - YongJin Designation(for any modification)
2. Shell type:
 - YJ3100 - Wall mounting receptacle,
 - YJ3101 - Cable connecting plug,
 - YJ3102 - Box mounting receptacle,
 - YJ3106 - Straight Plug,
 - YJ3108 - Angle Plug
3. Service Class:
 - A: Solid shell for general applications
 - E: Environmental resisting with resilient insulators and integral cable clamp
 - R: Environmental resisting with resilient insulators **

- **and shortened light weight endbell;also additional sealing with O-ring under coupling nut in styles 3106 and 3108
- 4. Shell size:
 - 10SL, 12S, 14S, 14, 16S, 16, 18, 20, 22, 24, 28, 32, 36
- 5. Insert arrangement:
 - see page 14~20
- 6. Contact type:
 - P- Pin contact,
 - S- Socket contact
- 7. Insulator position:
 - see page 21~22

“A” Class Dimensions

Wall Mounting Receptacle(MS3100A) YJ3100A



YJ3100A wall mounting receptacles are used with the YJ3057 cable clamp or with conduit to eliminate the need for the conduit box in applications where they are carried thru walls or bulkheads.

(mm)

Shell Size	□A ± 0.79	□B ± 0.12	D +0.79 -0.00	E MAX.	ΦF +0.25 -0.13	I Thread-2A	J Thread-2A
10SL	25.40	18.26	14.28	38.88	3.05	5/8-24 UNEF	5/8-24 UNEF
12S	27.97	20.62	14.28	42.87	3.05	3/4-20 UNEF	5/8-24 UNEF
12	27.97	20.62	19.05	52.37	3.05	3/4-20 UNEF	5/8-24 UNEF
14S	30.18	23.01	14.28	42.87	3.05	7/8-20 UNEF	3/4-20 UNEF
14	30.18	23.01	19.05	52.37	3.05	7/8-20 UNEF	3/4-20 UNEF
16S	32.54	24.61	14.28	42.87	3.05	1-20 UNEF	7/8-20 UNEF
16	32.54	24.61	19.05	52.37	3.05	1-20 UNEF	7/8-20 UNEF
18	34.93	26.97	19.05	52.37	3.05	1 1/8-18 UNEF	1-20 UNEF
20	38.10	29.36	19.05	55.57	3.05	1 1/4-18 UNEF	1 3/16-18 UNEF
22	41.28	31.75	19.05	55.57	3.05	1 3/8-18 UNEF	1 3/16-18 UNEF
24	44.45	34.93	20.63	58.72	3.73	1 1/2-18 UNEF	1 7/16-18 UNEF
28	50.80	39.67	20.63	58.72	3.73	1 3/4-18 UNEF	1 7/16-18 UNEF
32	57.15	44.45	22.23	61.92	4.39	2-18 UNS	1 3/4-18 UNS
36	63.50	49.23	22.23	61.92	4.39	2 1/4-16 UN	2-18 UNS

All dimensions are reference only.

5015

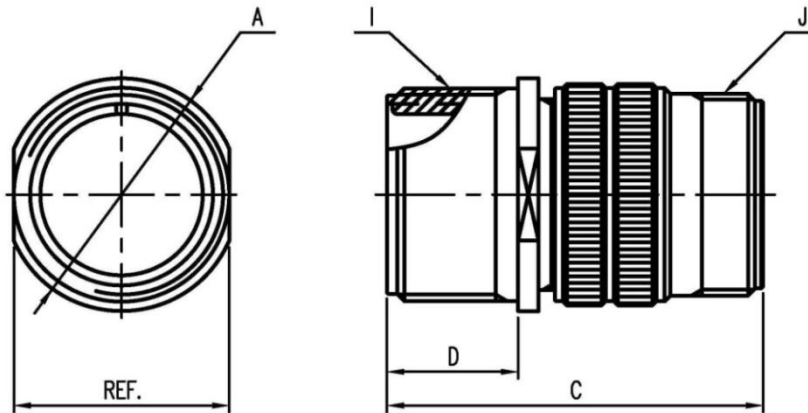


YJ 5015 Series

Cable Connecting Plug MS Circular Connectors

“A” Class Dimensions

Cable Connecting Plug (MS3101A) YJ3101A



YJ3101A solid endbell cables connecting plugs are used for cable extension requirements where mounting provisions are unnecessary.

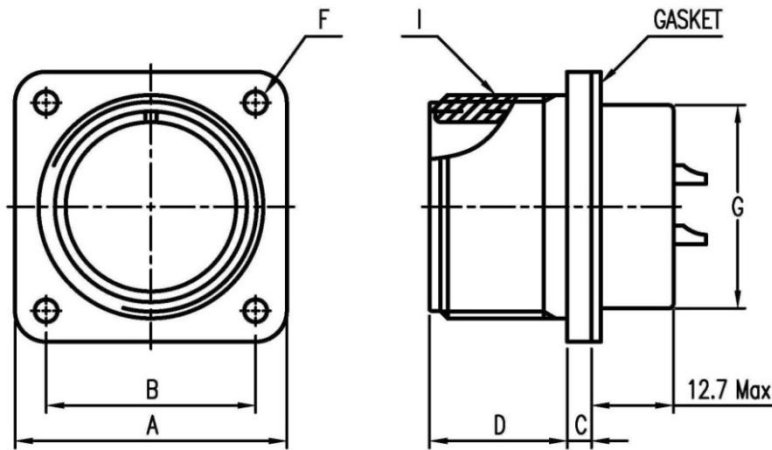
(mm)

Shell Size	ΦA MAX.	C MAX.	D +0.79 -0.00	I Thread-2A	J Thread-2A
10SL	24.61	38.88	14.28	5/8-24 UNEF	5/8-24 UNEF
12S	26.97	42.87	14.28	3/4-20 UNEF	5/8-24 UNEF
12	26.97	52.37	19.05	3/4-20 UNEF	5/8-24 UNEF
14S	29.36	42.87	14.28	7/8-20 UNEF	3/4-20 UNEF
14	29.36	52.37	19.05	7/8-20 UNEF	3/4-20 UNEF
16S	31.75	42.87	14.28	1-20 UNEF	7/8-20 UNEF
16	31.75	52.37	19.05	1-20 UNEF	7/8-20 UNEF
18	34.13	52.37	19.05	1 1/8-18 UNEF	1-20 UNEF
20	37.31	55.57	19.05	1 1/4-18 UNEF	1 3/16-18 UNEF
22	40.48	55.57	19.05	1 3/8-18 UNEF	1 3/16-18 UNEF
24	43.66	58.72	20.63	1 1/2-18 UNEF	1 7/16-18 UNEF
28	50.01	58.72	20.63	1 3/4-18 UNEF	1 7/16-18 UNEF
32	56.36	61.92	22.23	2-18 UNS	1 3/4-18 UNS
36	62.71	61.92	22.23	2 1/4-16 UN	2-18 UNS

All dimensions are reference only.

“A” Class Dimensions

Box Mounting Receptacle (MS3102A) YJ3102A

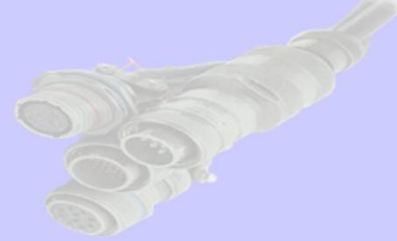


YJ3102A box mounting receptacles are used on boxes and requirement cases where no cable support is required.

(mm)

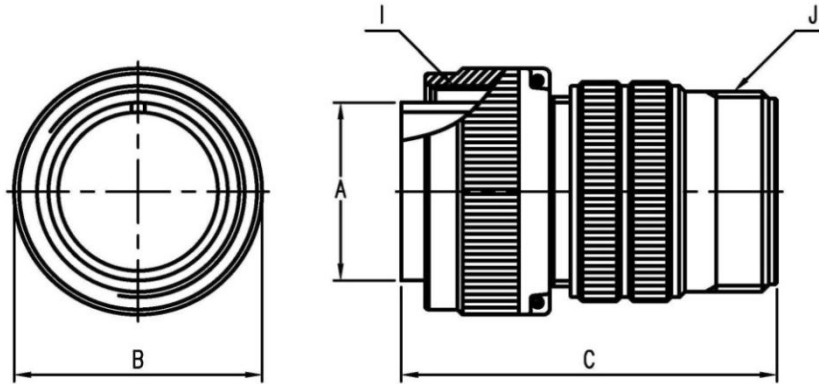
Shell Size	□A ± 0.79	□B ± 0.13	C ± 0.20	D +0.79 -0.00	ΦF +0.25 -0.13	ΦG Max.	I Thread-2A
10SL	25.40	18.26	3.00	14.28	3.05	19.35	5/8-24 UNEF
12S	27.79	20.62	3.00	14.28	3.05	19.35	3/4-20 UNEF
12	27.79	20.62	3.00	19.05	3.05	19.35	3/4-20 UNEF
14S	30.18	23.01	3.00	14.28	3.05	23.01	7/8-20 UNEF
14	30.18	23.01	3.00	19.05	3.05	23.01	7/8-20 UNEF
16S	32.54	24.61	3.00	14.28	3.05	26.21	1-20 UNEF
16	32.54	24.61	3.00	19.05	3.05	26.21	1-20 UNEF
18	34.93	26.97	4.00	19.05	3.05	29.36	1 1/8-18 UNEF
20	38.10	29.36	4.00	19.05	3.05	32.56	1 1/4-18 UNEF
22	41.28	31.75	4.00	19.05	3.05	35.71	1 3/8-18 UNEF
24	44.45	34.93	4.00	20.63	3.75	38.91	1 1/2-18 UNEF
28	50.80	39.37	4.00	20.63	3.75	45.26	1 3/4-18 UNEF
32	57.15	44.45	4.00	22.23	4.39	51.61	2-18 UNS
36	63.50	49.23	4.00	22.23	4.39	57.96	2 1/4-16 UN

All dimensions are reference only.



“A” Class Dimensions

Straight Plug(MS3106A) YJ3106A



YJ3106A straight plugs are used with 3100,3101 and 3102 receptacles.

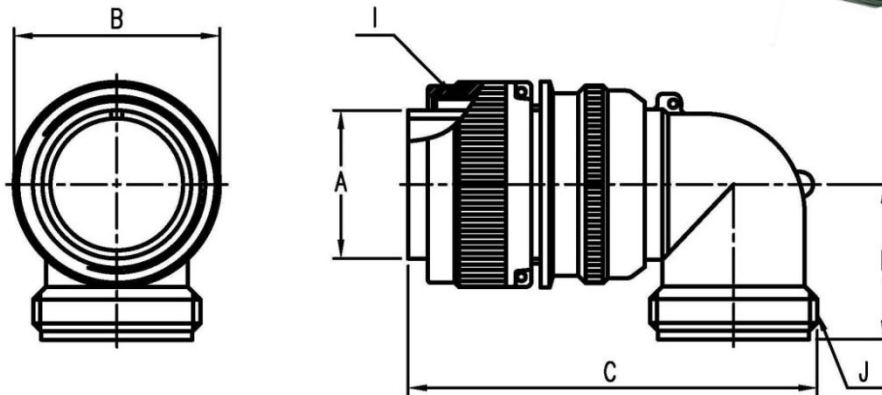
(mm)

Shell Size	ΦA +0.00 -0.38	ΦB MAX.	C MAX.	I Thread-2B	J Thread-2A
10SL	11.33	24.61	38.88	5/8-24 UNEF	5/8-24 UNEF
12S	14.10	26.97	42.87	3/4-20 UNEF	5/8-24 UNEF
12	14.10	26.97	52.37	3/4-20 UNEF	5/8-24 UNEF
14S	17.15	29.36	42.87	7/8-20 UNEF	3/4-20 UNEF
14	17.15	29.36	52.37	7/8-20 UNEF	3/4-20 UNEF
16S	20.45	31.75	42.87	1-20 UNEF	7/8-20 UNEF
16	20.45	31.75	52.37	1-20 UNEF	7/8-20 UNEF
18	23.62	34.13	52.37	1 1/8-18 UNEF	1-20 UNEF
20	26.67	37.31	55.57	1 1/4-18 UNEF	1 3/16-18 UNEF
22	29.85	40.48	55.57	1 3/8-18 UNEF	1 3/16-18 UNEF
24	33.02	43.66	58.72	1 1/2-18 UNEF	1 7/16-18 UNEF
28	38.61	50.01	58.72	1 3/4-18 UNEF	1 7/16-18 UNEF
32	44.96	56.36	61.92	2-18 UNS	1 3/4-18 UNS
36	50.29	62.71	61.92	2 1/4-16 UN	2-18 UNS

All dimensions are reference only.

“A” Class Dimensions

Right Angle Plug(MS3108A) YJ3108A

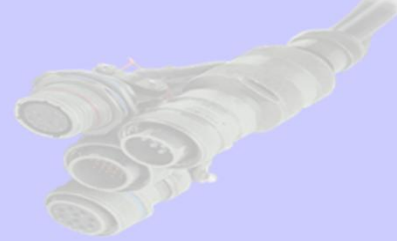


YJ3108A right angle plugs have a solid endbell and are used where wire must be brought at an abrupt angle. Either the split or solid endbells on the 3108 are capable of being rotated and locked.

(mm)

Shell Size	ΦA +0.00 -0.38	ΦB MAX.	C MAX.	D MAX.	I Thread-2B	J Thread-2A
10SL	11.33	24.61	46.02	25.40	5/8-24 UNEF	5/8-24 UNEF
12S	14.10	26.97	50.80	26.97	3/4-20 UNEF	5/8-24 UNEF
12	14.10	26.97	57.15	26.97	3/4-20 UNEF	5/8-24 UNEF
14S	17.15	29.36	53.97	28.57	7/8-20 UNEF	3/4-20 UNEF
14	17.15	29.36	58.72	28.57	7/8-20 UNEF	3/4-20 UNEF
16S	20.45	31.75	60.32	30.17	1-20 UNEF	7/8-20 UNEF
16	20.45	31.75	65.07	30.17	1-20 UNEF	7/8-20 UNEF
18	23.62	34.13	68.27	33.32	1 1/8-18 UNEF	1-20 UNEF
20	26.67	37.31	76.98	34.92	1 1/4-18 UNEF	1 3/16-18 UNEF
22	29.85	40.48	76.98	34.92	1 3/8-18 UNEF	1 3/16-18 UNEF
24	33.02	43.66	86.51	39.67	1 1/2-18 UNEF	1 7/16-18 UNEF
28	38.61	50.01	86.51	39.67	1 3/4-18 UNEF	1 7/16-18 UNEF
32	44.96	56.36	95.25	47.62	2-18 UNS	1 3/4 UNS
36	50.29	62.71	100.02	52.37	2 1/4-16 UN	2-18 UNS

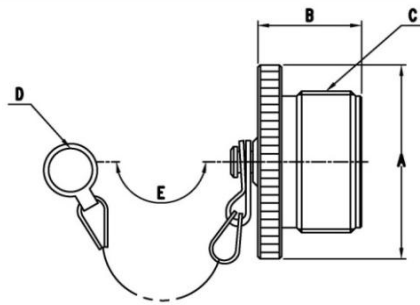
All dimensions are reference only.



Accessory Dimensions

Plug Protection Cap(MS25042) **YJ25042**

(mm)

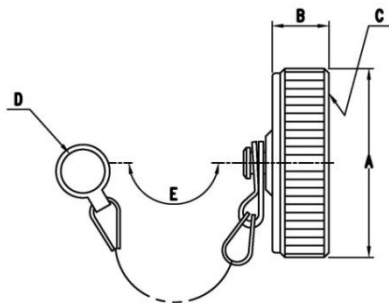


Part Number	Shell Size	ΦA Max.	B Max	C Thread(-2A)	ΦD +0.25 -0.13	E Approx.
MS25042-10D	10S,10SL	17.45	16.66	5/8-24 UNEF	4.20	125
MS25042-12D	12S,12	20.62	21.44	3/4-20 UNEF	4.20	125
MS25042-14D	14S,14	23.80	21.44	7/8-20 UNEF	4.20	125
MS25042-16D	16S,16	26.97	21.44	1-20 UNEF	4.20	125
MS25042-18D	18	30.15	21.44	1 1/8-18 UNEF	4.20	125
MS25042-20D	20	33.32	21.44	1 1/4-18 UNEF	4.20	175
MS25042-22D	22	36.50	21.44	1 3/8-18 UNEF	4.20	175
MS25042-24D	24	39.67	21.44	1 1/2-18 UNEF	4.20	175
MS25042-28D	28	46.02	21.44	1 3/4-18 UNEF	4.20	175
MS25042-32D	32	52.37	21.44	2-18 UNS	4.20	175
MS25042-36D	36	58.72	21.44	2 1/4-16 UN	4.20	175

These externally threaded metal dust caps are used to protect the YJ3106 and YJ3108 plugs. Material is aluminum alloy. They are furnished with sash chains and are available with bead chains.

Receptacle Protection Cap(MS25043) **YJ25043**

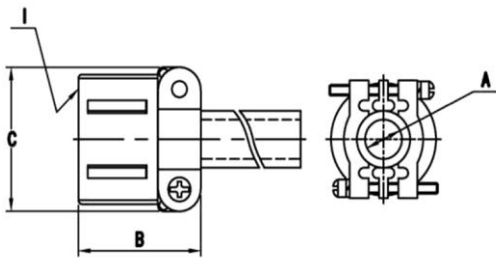
(mm)



Part Number	Shell Size	ΦA Max.	B Max	C Thread(-2B)	ΦD +0.25 -0.13	E Approx.
MS25043-10D	10S,10SL	20.70	11.91	5/8-24 UNEF	4.20	125
MS25043-12D	12S,12	25.40	11.91	3/4-20 UNEF	4.20	125
MS25043-14D	14S,14	28.58	11.91	7/8-20 UNEF	4.20	125
MS25043-16D	16S,16	30.18	11.91	1-20 UNEF	4.20	125
MS25043-18D	18	34.13	11.91	1 1/8-18 UNEF	4.20	125
MS25043-20D	20	37.31	11.91	1 1/4-18 UNEF	4.20	175
MS25043-22D	22	40.49	11.91	1 3/8-18 UNEF	4.20	175
MS25043-24D	24	43.66	11.91	1 1/2-18 UNEF	4.20	175
MS25043-28D	28	50.01	13.49	1 3/4-18 UNEF	4.20	175
MS25043-32D	32	56.36	13.49	2-18 UNS	4.20	175
MS25043-36D	36	62.71	13.49	2 1/4-16 UN	4.20	175

These internally threaded metal dust caps are used to protect the YJ3100, YJ3101 and YJ3102 receptacles. Material is aluminum alloy. They are furnished with sash chains and are available with bead chains.

Accessory Dimensions

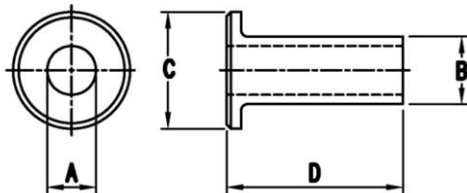


Cable Clamp(MS3057) **YJ3057**

(mm)

Part Number	Shell Size	ΦA	B ±0.79	ΦC ±0.79	I Thread(-2B)
YJ3057-4A	10SL, 12S & 12	5.59	20.62	20.62	5/8-24 UNEF
YJ3057-6A	14S & 14	7.92	22.22	24.61	3/4-20 UNEF
YJ3057-8A	16S & 16	11.10	23.83	27.79	7/8-20 UNEF
YJ3057-10A	18	14.27	23.83	30.18	1-20 UNEF
YJ3057-12A	20 & 22	15.88	23.83	34.93	1 3/16-18 UNEF
YJ3057-16A	24 & 28	19.05	26.19	42.06	1 7/16-18 UNEF
YJ3057-20A	32	23.80	27.79	51.59	1 3/4-18 UNS
YJ3057-24A	36	31.75	29.36	56.36	2-18 UNS

YJ3057 style cable clamp was designed for use with jacketed cable or wire protected by tubing. Both clamping halves float maximum strain relief for unjacketed cable or wires, use corresponding YJ3420 telescoping bushing. To order clamp without bushing, add -1 to the P/N.



Telescoping Bushing(MS3420) **YJ3420**

(mm)

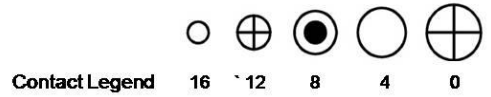
Part Number	Shell Size	ΦA ±0.41	ΦB ±0.41	ΦC ±0.41	D ±0.79
YJ3420-4	10SL, 12S & 12	5.59	7.67	12.83	69.85
YJ3420-6	14S & 14	7.92	10.85	15.72	66.68
YJ3420-8	16S & 16	11.10	14.02	18.90	63.50
YJ3420-10	18	14.27	15.62	22.07	60.32
YJ3420-12	20 & 22	15.88	18.80	27.03	57.15
YJ3420-16	24 & 28	19.05	23.55	33.38	53.98
YJ3420-20	32	23.80	31.50	40.54	50.82
YJ3420-24	36	31.75	34.67	46.91	47.62

Telescoping bushing(used with 3057 clamp) keeps dirt, oil and moisture out of endbell. Taping or wrapping wires is eliminated since bushing protects wires going thru clamp. Combinations of bushing may be used to decrease cable entry diameter to improve sealing.



YJ 5015 Series Contact Arrangement MS Circular Connectors

Contact Arrangement

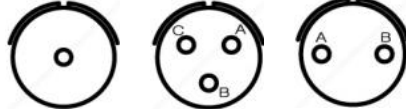


Shell Size 8



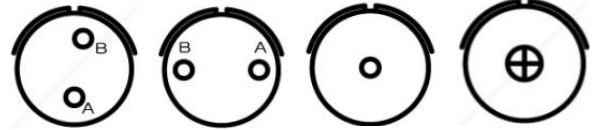
Insert Arrangement	8S-1
Service Rating	A
Number of Contacts	1
Contact Size	16

Shell Size 10



Insert Arrangement	10S-2	10SL-3	10SL-4
Service Rating	A	INST, A	A
Number of Contacts	1	3	2
Contact Size	16	16	16

Shell Size 12



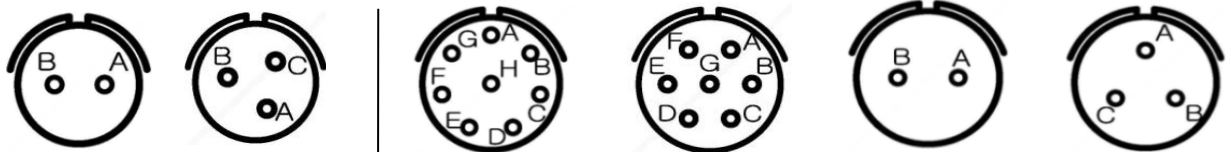
Insert Arrangement	12S-1	12S-3	12S-4	12S-5
Service Rating	A	A	D	D
Number of Contacts	2	2	1	1
Contact Size	16	16	16	12

Shell Size 14



Insert Arrangement	14S-1	14S-2	14S-3	14S-4	14S-5	14S-6	14S-7
Service Rating	A	INST	A	D	INST	INST	A
Number of Contacts	3	4	1	1	5	6	3
Contact Size	16	16	8	16	16	16	16

Shell Size 16



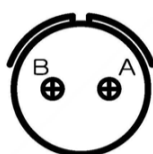
Insert Arrangement	14S-9	14S-12	16S-01	16S-1	16S-4	16S-5
Service Rating	A	A	A	A	D	A
Number of Contacts	2	3	8	7	2	3
Contact Size	16	16	18	16	16	16

Shell Size 16



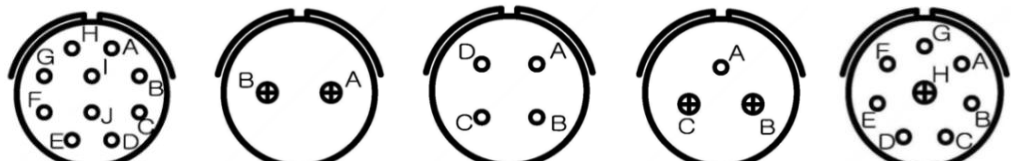
Insert Arrangement	16S-6	16S-8	16-9	16-10	16-11	16-12
Service Rating	A	A	A	A	A	A
Number of Contacts	3	5	2 2	3	2	1
Contact Size	16	16	16 12	12	12	4

Shell Size 16



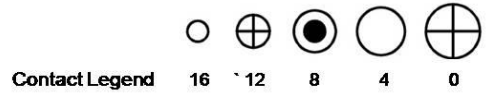
Insert Arrangement	16-13
Service Rating	A
Number of Contacts	2
Contact Size	12

Shell Size 18

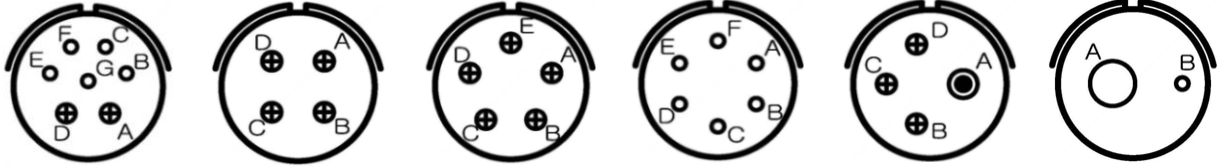


Insert Arrangement	18-1	18-3	18-4	18-5	18-8
Service Rating	B, C, F, G = A All others = INST	D	D	D	A
Number of Contacts	10	2	4	1 2	7 1
Contact Size	16	12	16	16 12	16 12

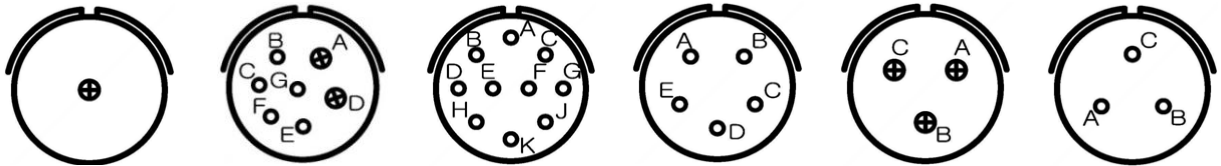
Contact Arrangement



Shell Size 18

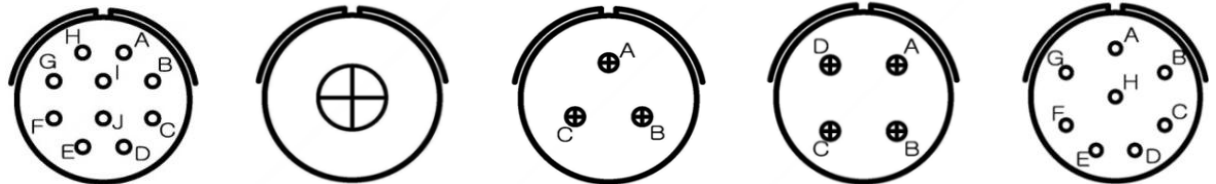


Insert Arrangement	18-9	18-10	18-11	18-12	18-13	18-14
Service Rating	INST	A	A	A	A	A
Number of Contacts	5 2	4	5	6	3 1	1 1
Contact Size	16 12	12	12	16	12 8	16 4

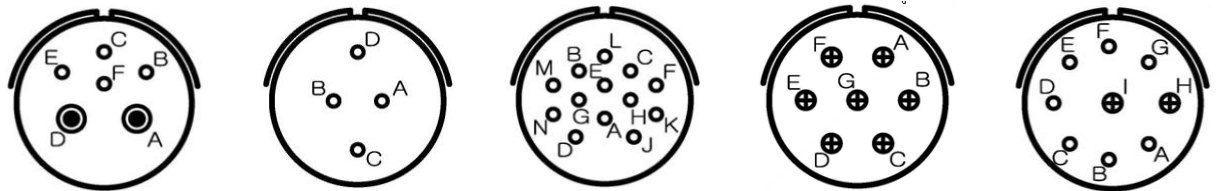


Insert Arrangement	18-16	18-18	18-19	18-20	18-21	18-22
Service Rating	C	INST	A	A	A	D
Number of Contacts	1	5 2	10	5	3	3
Contact Size	12	16 12	16	16	12	16

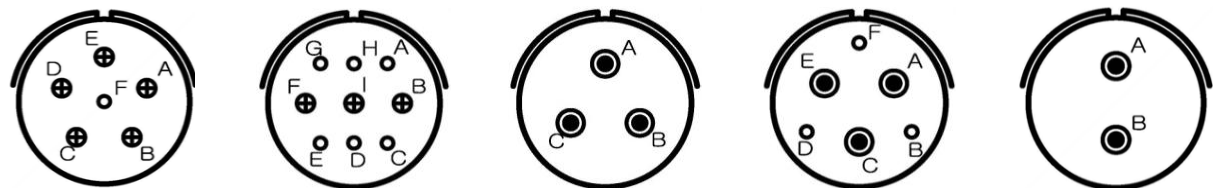
Shell Size 20



Insert Arrangement	20-01	20-2	20-3	20-4	20-7
Service Rating	A	D	D	D	A,B,H,G=D C,D,E,F=A
Number of Contacts	10	1	3	4	8
Contact Size	16	0	12	12	16



Insert Arrangement	20-8	20-10	20-11	20-15	20-16
Service Rating	INST	A	INST	A	INST
Number of Contacts	4 2	4	13	7	7 2
Contact Size	16 8	16	16	12	16 12



Insert Arrangement	20-17	20-18	20-19	20-22	20-23
Service Rating	A	A	A	A	A
Number of Contacts	1 5	6 3	3	3 3	2
Contact Size	16 12	16 12	8	16 8	8

5015

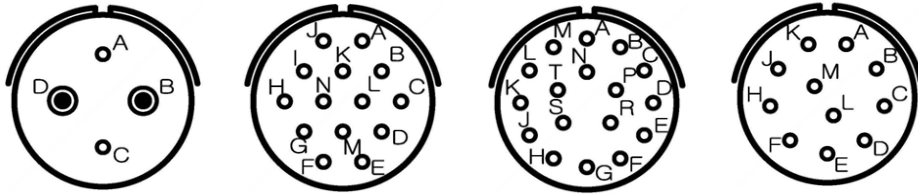


YJ 5015 Series Contact Arrangement MS Circular Connectors

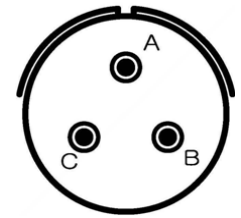
Contact Arrangement



Shell Size 20

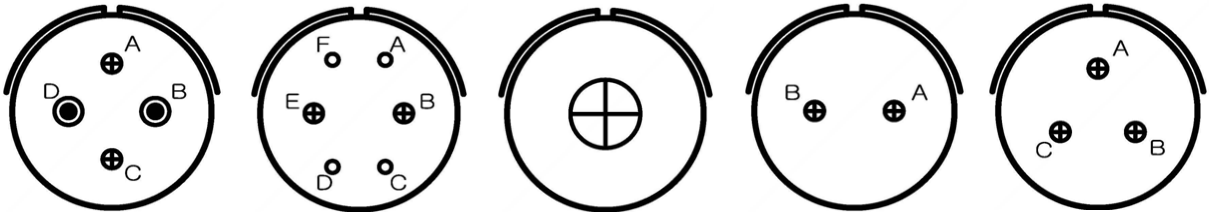


Shell Size 22

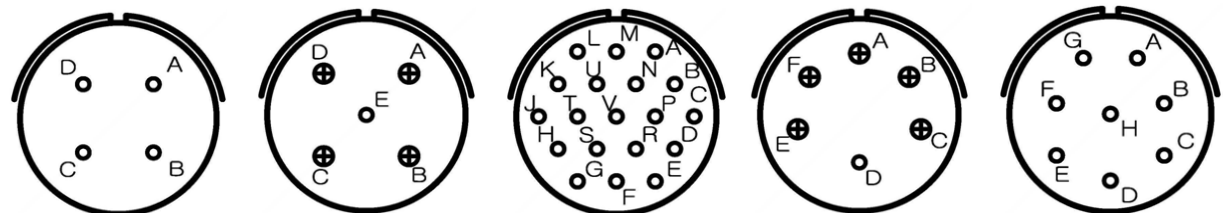


Insert Arrangement	20-24	20-27	20-29	20-33	22-2
Service Rating	A	A	A	A	D
Number of Contacts	2 2	14	17	11	3
Contact Size	16 8	16	16	16	8

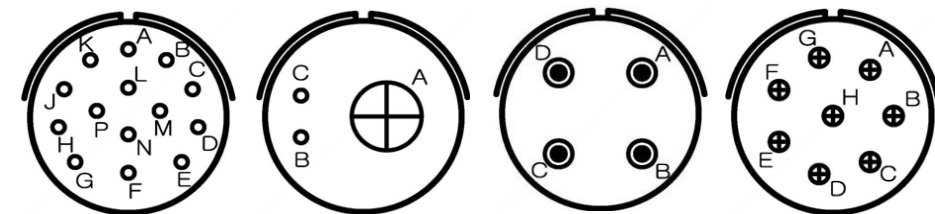
Shell Size 22



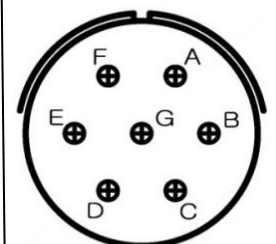
Insert Arrangement	22-4	22-5	22-7	22-8	22-9
Service Rating	A	D	E	E	E
Number of Contacts	2 2	4 2	1	2	3
Contact Size	12 8	16 12	0	12	12



Insert Arrangement	22-10	22-13	22-14	22-15	22-18
Service Rating	E	A	A	A,B,C,D,E,F=A D=E	A,B,F,G,H=D C,D,E=A
Number of Contacts	4	1 4	19	1 5	8
Contact Size	16	16 12	16	16 12	16



Shell Size 24

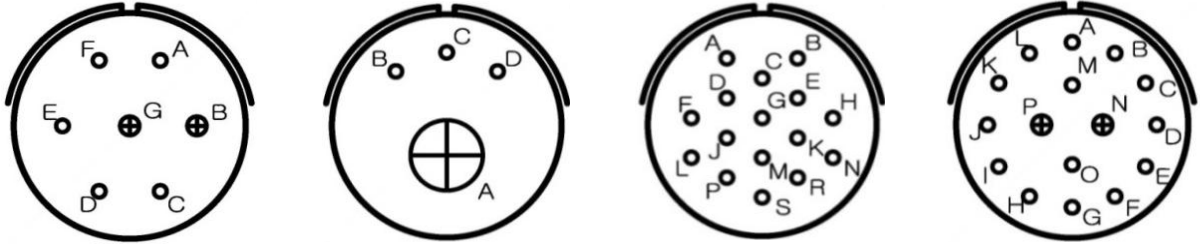


Insert Arrangement	22-19	22-21	22-22	22-23	24-2
Service Rating	A	A	A	A,B,C,D,E,F,G=A H=D	D
Number of Contacts	14	2 1	4	8	7
Contact Size	16	16 0	8	12	12

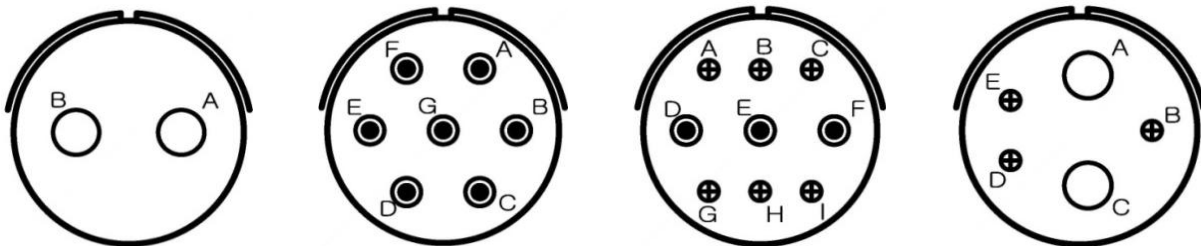
Contact Arrangement



Shell Size 24

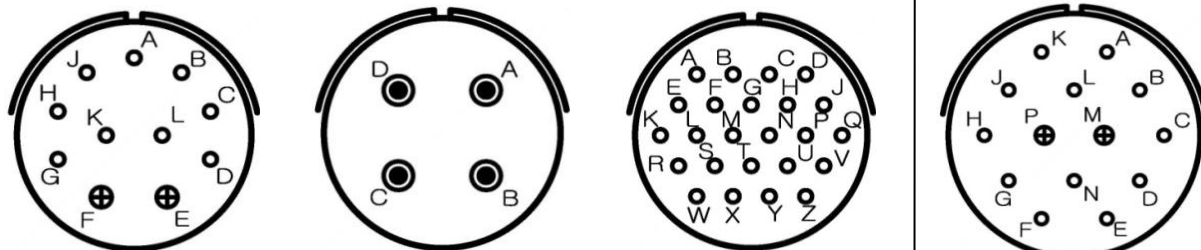


Insert Arrangement	24-3		24-4		24-5		24-7	
Service Rating	D		E		A		A	
Number of Contacts	5	2	3	1	16		14	2
Contact Size	16	12	16	0	16		16	12

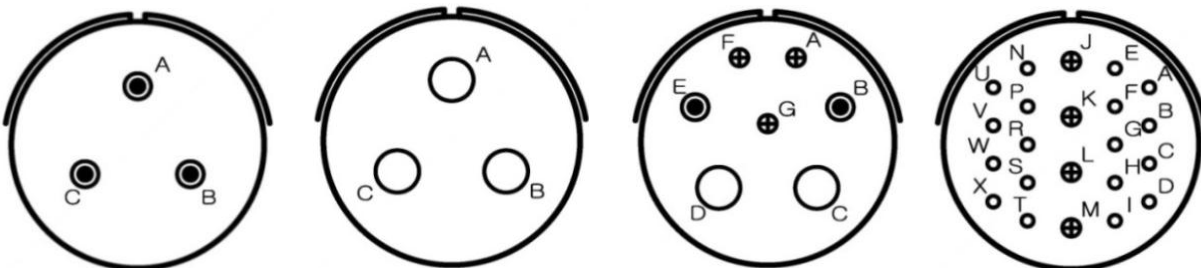


Insert Arrangement	24-9		24-10		24-11		24-12	
Service Rating	A		A		A		A	
Number of Contacts	2		7		6	3	3	2
Contact Size	4		8		12	8	12	4

Shell Size 28



Insert Arrangement	24-20		24-22		24-28		28-2	
Service Rating	D		D		INST		D	
Number of Contacts	9	2	4		24		12	
Contact Size	16	12	8		16		16	



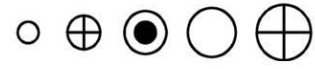
Insert Arrangement	28-3		28-6		28-10			28-11	
Service Rating	E		D		G=D; all others=A			A	
Number of Contacts	3		3		3	2	2	18	
Contact Size	8		4		12	8	4	16	

5015



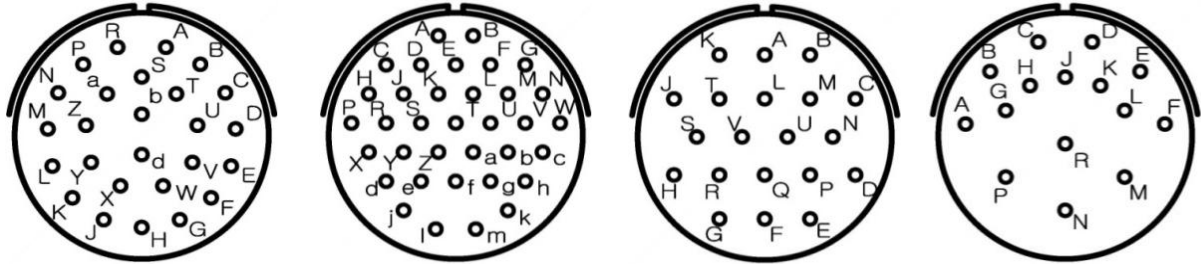
YJ 5015 Series Contact Arrangement MS Circular Connectors

Contact Arrangement

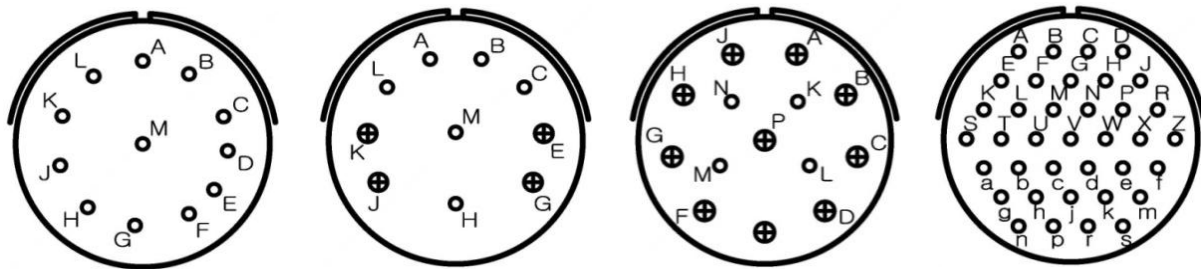


Contact Legend 16 12 8 4 0

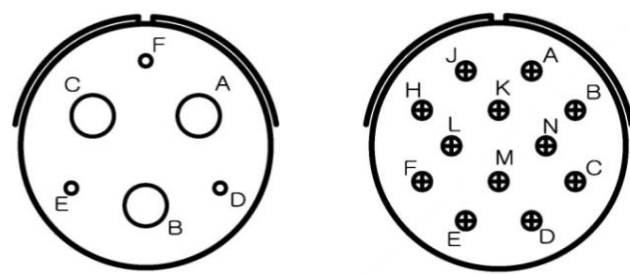
Shell Size 28



Insert Arrangement	28-12	28-15	28-16	28-17
Service Rating	A	A	A	R=B; M,N,P=D all others=A
Number of Contacts	26	35	20	15
Contact Size	16	16	16	16

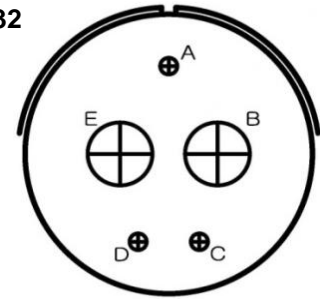


Insert Arrangement	28-18	28-19	28-20	28-21
Service Rating	M=C; A B=A C,D,E,F=INST; all others=D	A,B=D; H,M=B all others=A	A	A
Number of Contacts	12	6 4	4 10	37
Contact Size	16	16 12	16 12	16

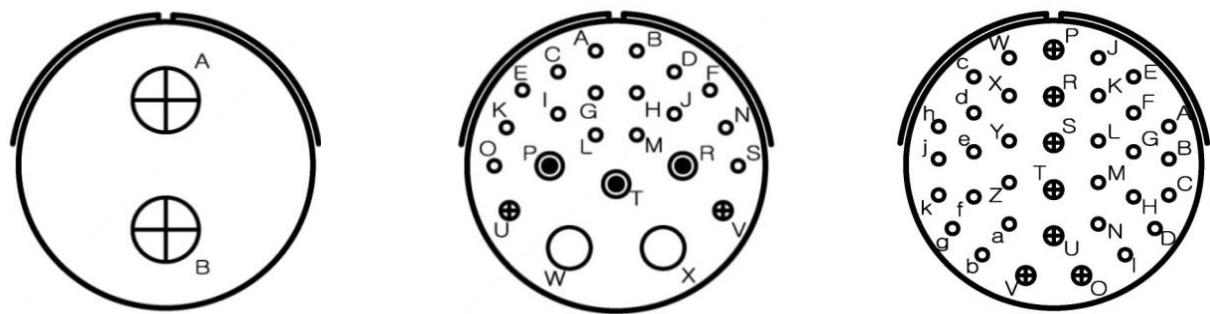


Insert Arrangement	28-22	28-51
Service Rating	D	A
Number of Contacts	3 3	12
Contact Size	16 4	12

Shell Size 32

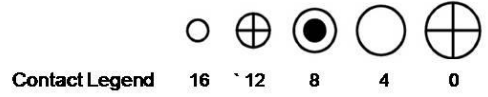


Insert Arrangement	32-1
Service Rating	A=E; all others=D
Number of Contacts	3 2
Contact Size	12 0

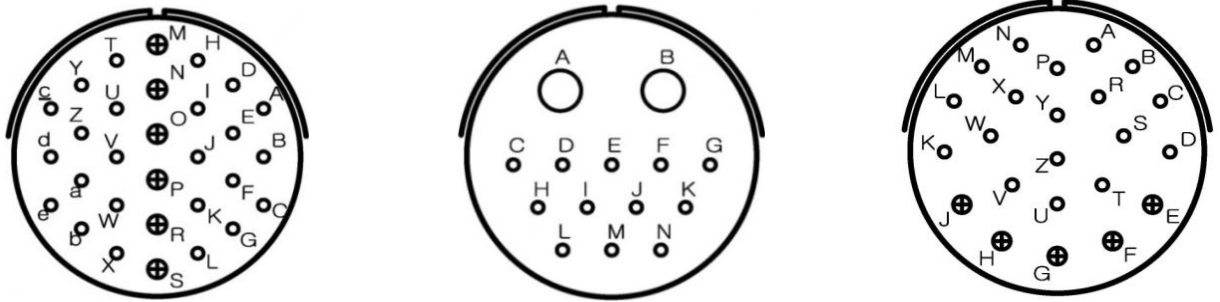


Insert Arrangement	32-5	32-6	32-7
Service Rating	D	A	A,B,h,j=INST; all others=A
Number of Contacts	2	16 2 3 2	28 7
Contact Size	0	16 12 8 4	16 12

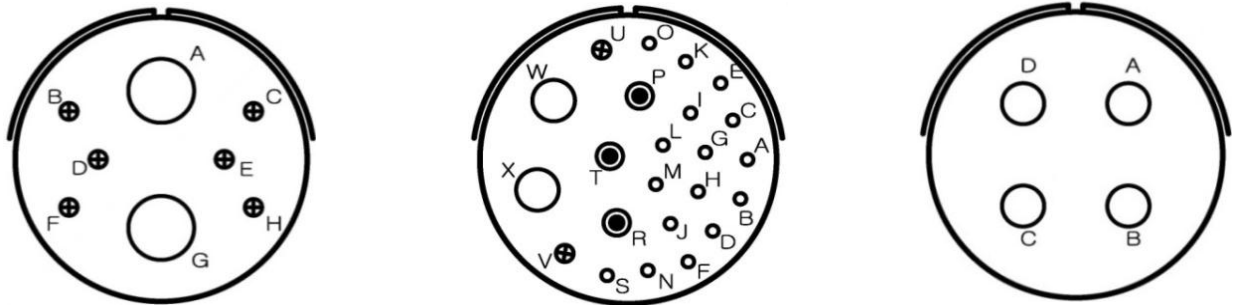
Contact Arrangement



Shell Size 32

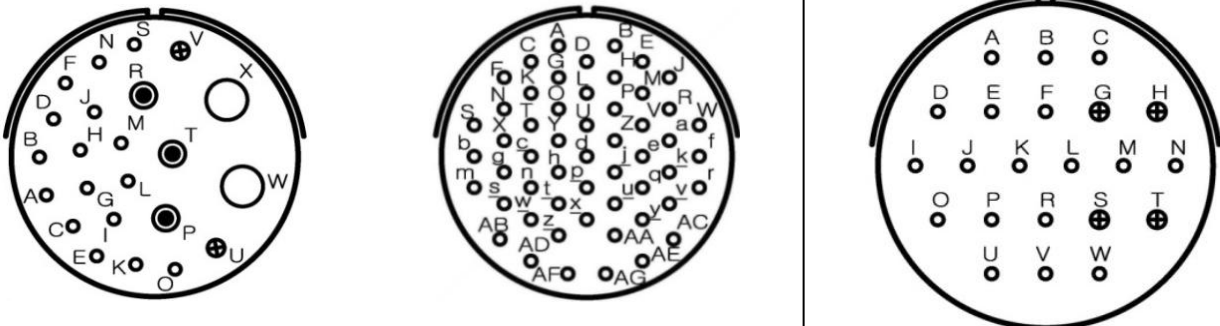


Insert Arrangement	32-8	32-9	32-13
Service Rating	A	D	D
Number of Contacts	24 6	12 2	18 5
Contact Size	16 12	16 4	16 12



Insert Arrangement	32-15	32-16	32-17
Service Rating	D	A	D
Number of Contacts	6 2	16 2 3 2	4
Contact Size	12 0	16 12 8 4	4

Shell Size 36



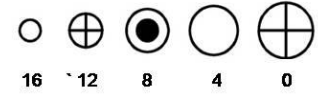
Insert Arrangement	32-20	32-22	36-1
Service Rating	1A	A	D
Number of Contacts	16 2 3 2	54	18 4
Contact Size	16 12 8 4	16	16 12

5015

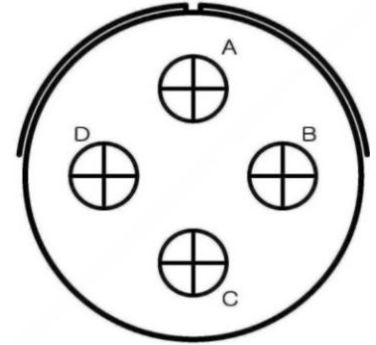
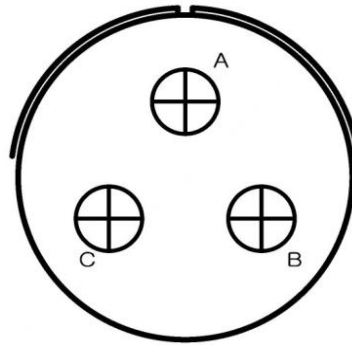
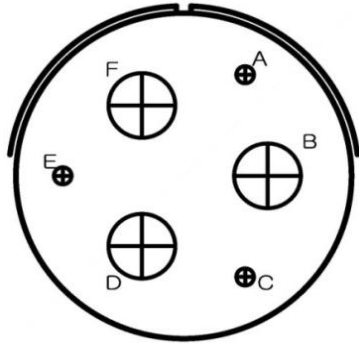


YJ 5015 Series Contact Arrangement MS Circular Connectors

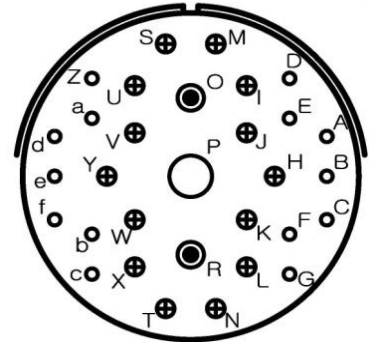
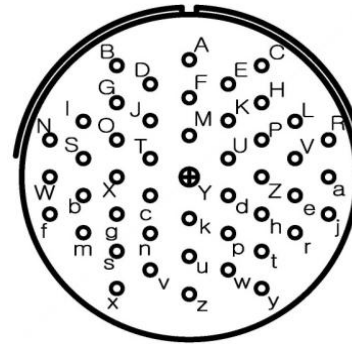
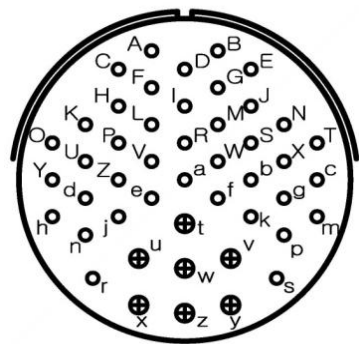
Contact Arrangement



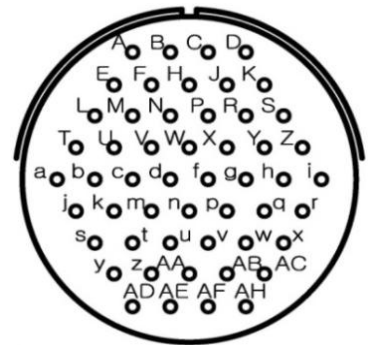
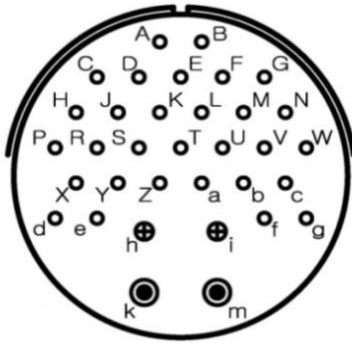
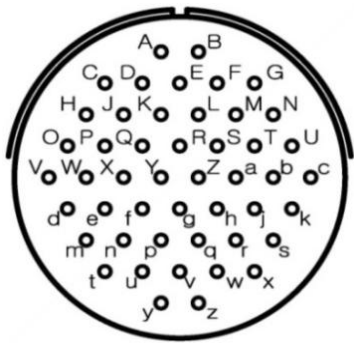
Shell Size 36



Insert Arrangement	36-3	36-4	36-5
Service Rating	D	A=D;B,C=A	A
Number of Contacts	3 3	3	4
Contact Size	12 0	0	0

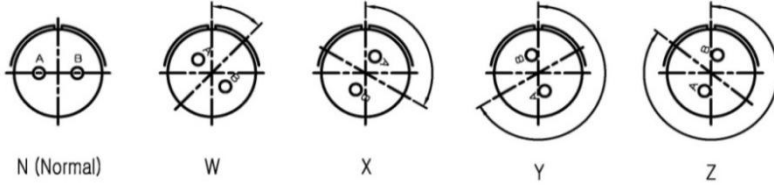


Insert Arrangement	36-7	36-8	36-9
Service Rating	A	A	1A
Number of Contacts	40 7	46 1	14 14 2 1
Contact Size	16 12	16 12	16 12 8 4



Insert Arrangement	36-10	36-20	36-52
Service Rating	A	1A	A
Number of Contacts	48	30 2 2	52
Contact Size	16	16 12 8	16

Insert Arrangement & Alternate Positioning



Contact Arrangement	Service Rating	Total Contact-acts	Contact Size					Alternate Position-Degrees			
			0	4	8	12	16	W	X	Y	Z
10S-2	A	1					1	-	-	-	-
10SL-3	A	3					3	-	-	-	-
10SL-4	A	2					2	-	-	-	-
12S-1	A	2					2	-	-	-	-
12S-3	A	2					2	70	145	215	290
12S-4	D	1					1	-	-	-	-
12-5	D	1				1		-	-	-	-
14S-1	A	3					3	-	-	-	-
14S-2	INST	4					4	-	120	240	-
14S-4	D	1					1	-	-	-	-
14S-5	INST	5					5	-	110	-	-
14S-6	INST	6					6	-	-	-	-
14S-7	A	3					3	90	180	270	-
14S-9	A	2					2	70	145	215	290
14S-10	INST	4					4	-	-	-	-
14S-12	A	3					3	-	-	-	-
14-3	A	1			1			-	-	-	-
16S-1	A	7					7	80	-	-	280
16S-3	B	1					1	-	-	-	-
16S-4	D	2					2	35	110	250	325
16S-5	A	3					3	70	145	215	290
16S-6	A	3					3	90	180	270	-
16S-8	A	5					5	-	170	265	-
16-2	E	1				1		-	-	-	-
16-7	A	3			1		2	-	-	-	-
16-9	A	4				2	2	35	110	250	325
16-10	A	3				3		90	180	270	-
16-11	A	2				2		35	110	250	325
16-12	A	1		1				-	-	-	-
16-13	A	2				2		35	110	250	325
18-1	A/Inst	10					10	70	145	215	290
18-3	D	2				2		35	110	250	325
18-4	D	4				4		35	110	250	325
18-5	D	3				2	1	80	110	250	280
18-6	D	1		1				-	-	-	-
18-7	B	1			1			-	-	-	-
18-8	A	8				1	7	70	-	-	290
18-9	INST	7				2	5	80	110	250	280
18-10	A	4				4		-	120	240	-
18-11	A	5				5		-	170	265	-
18-12	A	6				6		80	-	-	280
18-13	A	4			1	3		80	110	250	280
18-14	A	2		1		1		-	-	-	-
18-15	A	4				4		-	120	240	-

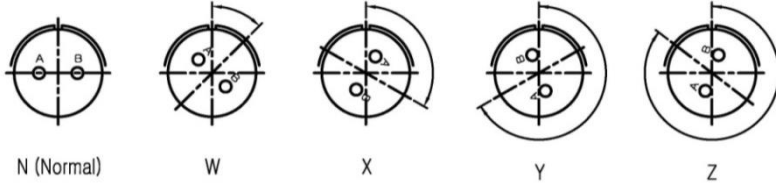
Contact Arrangement	Service Rating	Total Contact-acts	Contact Size					Alternate Position-Degrees			
			0	4	8	12	16	W	X	Y	Z
18-16	C	1				1		-	-	-	-
18-17	INST	7				2	5	-	-	-	-
18-19	A	10					10	-	120	240	-
18-20	A	5					5	90	180	270	-
18-21	A	3				3		-	-	-	-
18-22	D	3					3	70	145	215	290
18-24	A/INST	10					10	-	-	-	-
18-29	A	5					5	-	-	-	-
18-30	A	5					5	-	-	-	-
18-31	A	5					5	-	-	-	-
20-2	D	1	1					-	-	-	-
20-3	D	3				3		70	145	215	290
20-4	D	4					4	45	110	250	-
20-6	D	3					3				
20-7	D/A	8					8	80	110	250	280
20-8	INST	6			2		4	80	110	250	280
20-9	D/A	8				1	7				
20-11	INST	13					13	-	-	-	-
20-12	A	2		1			1	-	-	-	-
20-14	A	5			2	3		-	-	-	-
20-15	A	7				7		80	-	-	280
20-16	A	9				2	7	80	110	250	280
20-17	A	6				5	1	90	180	270	-
20-18	A	9				3	6	35	110	250	325
20-19	A	3					3	90	180	270	-
20-20	A	4		1			3	-	-	-	-
20-21	A	9				1	8	-	-	-	-
20-22	A	6			3		3	80	110	250	280
20-23	A	2			2			35	110	250	325
20-24	A	4			2		2	-	-	-	-
20-25	INST	13					13	-	-	-	-
20-27	A	14					14	35	110	250	325
20-29	A	17					17	80	-	-	280
20-30	INST	13					13	-	-	-	-
20-33	A	11					11	-	-	-	-
22-1	D	2			2			35	110	250	325
22-2	D	3			3			70	145	215	290
22-4	A	4			2	2		35	110	250	325
22-5	D	6				2	4	-	-	-	-
22-6	D	3			2		1	-	-	-	-
22-7	E	1	1					-	-	-	-
22-8	E	2				2		35	110	250	325
22-9	E	3				3		70	145	215	290
22-10	E	4					4	35	110	250	325

5015



YJ 5015 Series Insert Arrangement MS Circular Connectors

Insert Arrangement & Alternate Positioning



Contact Arrange-ment	Service Rating	Total Cont-acts	Contact Size					Alternate Position-Degrees			
			0	4	8	12	16	W	X	Y	Z
22-11	B	2					2	35	110	250	325
22-12	D	5			2		3	80	110	250	280
22-13	D/A	5				4	1	35	110	250	325
22-14	A	19					19	80	110	250	280
22-15	E/A	6				5	1	80	110	250	280
22-16	A	9				3	6	-	-	-	-
22-17	D/A	9				1	8	-	-	-	-
22-18	A/D	8					8	80	110	250	280
22-19	A	14					14	80	110	250	280
22-20	A	9					9	35	110	250	325
22-21	A	3	1				2	-	-	-	-
22-22	A	4			4			-	110	250	-
22-23	D/A	8				8		35	-	250	-
22-27	D/A	6				2	4	80	-	250	280
22-28	A	9			1		8	80	-	-	280
22-33	D/A	7					7	-	-	-	-
22-34	D	5				3	2	-	-	-	-
24-2	D	7				7		80	-	-	280
24-3	D	7				2	5	-	-	-	-
24-5	A	16					16	80	110	250	280
24-6	D/A	8				8		80	110	250	280
24-7	A	16				2	14	80	110	250	280
24-9	A	2		2				35	110	250	325
24-10	A	7			7			80	-	-	280
24-11	A	9			3	6		35	110	250	325
24-12	A	5		2		3		80	110	250	280
24-16	D/A	7			1	3	3	-	-	-	-
24-14	D	5				2	3	-	-	-	-
24-20	D	11				2	9	80	110	250	280
24-21	D	10			1		9	-	-	-	-
24-22	D	4			4			45	110	250	-
24-27	D	7					7	-	-	-	-
24-28	INST	24					24	80	110	250	280
28-1	D/A	9			3	6		80	110	250	280
28-2	D	14				2	12	-	-	-	-
28-3	E	3			3			70	145	215	290
28-4	E/D	9				2	7	-	-	-	-
28-5	D	5		2		1	2	-	-	-	-
28-6	D	3		3				70	145	215	290
28-7	D	2		2				35	110	250	325
28-8	E/D/A	12				2	10	-	-	-	-
28-9	D	12				6	6	80	110	250	280
28-10	D/A	7		2	2	3		80	110	250	280
28-11	A	22				4	18	80	110	250	280
28-12	A	26					26	90	180	270	-

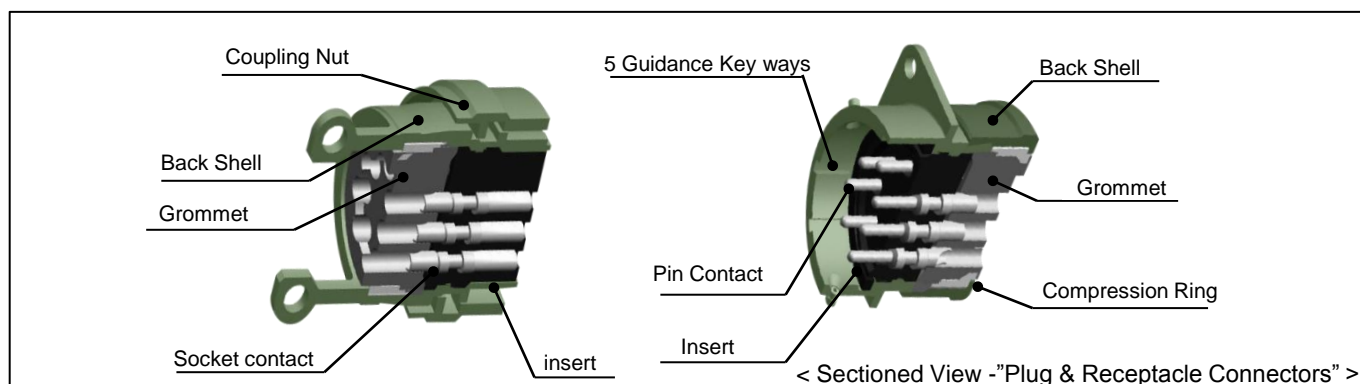
Contact Arrange-ment	Service Rating	Total Cont-acts	Contact Size					Alternate Position-Degrees				
			0	4	8	12	16	W	X	Y	Z	
28-13	A	26						26	-	-	-	-
28-15	A	35						35	80	110	250	280
28-16	A	20						20	80	110	250	280
28-17	B/D/A	15						15	-	-	-	-
28-18	C/D/A/Inst	12						12	-	-	-	-
28-19	B/D/A	10				4	6		80	110	250	280
28-20	A	14				10	4		80	110	250	280
28-21	A	37						37	80	110	250	280
28-22	D	6			3			3	70	145	215	290
32-1	E/D	5	2					3	80	110	250	280
32-2	E	5			3			2	-	-	-	-
32-3	D	9	1	2			2	4	-	-	-	-
32-4	A/D	14					2	12	-	-	-	-
32-5	D	2	2						35	110	250	325
32-6	A	23		2	3	2	16	80	110	250	325	
32-7	INST/A	35					7	28	80	125	235	280
32-8	A	30					6	24	80	125	235	280
32-9	D	14		2				12	80	110	250	280
32-10	E/B/D/A	7		2	2			3	-	-	-	-
32-12	A/D	15					5	10	-	-	-	-
32-13	D	23					5	18	-	-	-	-
32-15	D	8	2					6	35	110	250	280
32-16	A	23		2	3	2	16	-	-	-	-	
32-17	D	4		4					45	110	250	280
32-22	A/U/V	54						54	80	110	250	280
36-1	D	22					4	18	80	110	250	280
36-3	D	6	3				3		70	145	215	290
36-4	D/A	3	3						70	145	215	290
36-5	A	4	4						-	120	240	-
36-6	A	6	2	4					35	110	250	325
36-7	A	47					7	40	80	110	250	280
36-8	A	47					1	46	80	110	250	280
36-9	A	31		1	2	14	14	80	125	235	280	
36-10	A	48						48	80	125	235	280
36-11	A	48						48	-	-	-	-
36-12	A	48						48	-	-	-	-
36-13	E/A	17					2	15	80	110	250	280
36-14	D	16			5	5	6	90	180	270	-	
36-15	D/A	35						35	60	125	245	305
36-16	A	47					7	40	-	-	-	-
36-17	A	47					7	40	-	-	-	-
36-18	A	31		1	2	14	14	-	-	-	-	-
36-20	A	34			2	2	30	-	-	-	-	-
36-52	A	52						52	72	114	216	288

YongJin 26482 Connectors

Solder Contact Termination

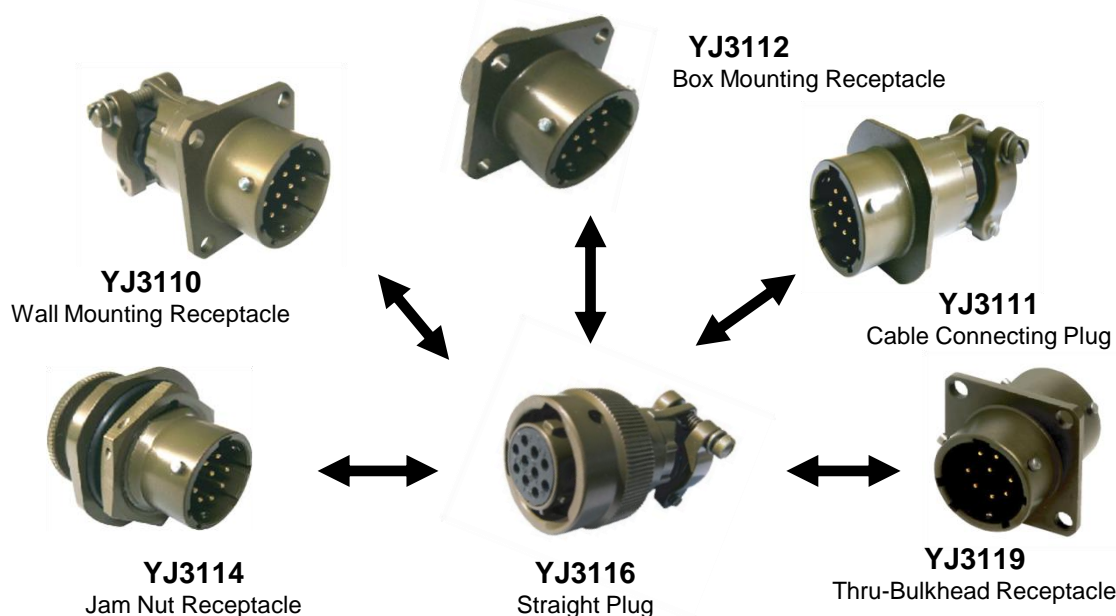
Summary

MIL-C-26482 Series connectors are lightweight and compact size miniature circular connectors while ensuring reliable mechanical and electrical connection between mating halves. And the combination of connectors is made by 5 guidance keys and 3 point type Bayonet Coupler. The bayonet mechanism provides fast and easy coupling, especially when the connector is situated in an awkward or hard to reach location. Now they are widely used in the field of military communication equipment, related electric and electronic instrument and general industry (machine tools, automation, measuring equipment ...). This catalog is prepared on the basis of "E" Class of series 1 that is the most general among MIL-C-26482 series has good environment resistance, and is being used widely in all fields.



26482

Typical Mating Guide





YJ 26482 Series
Technical Information
Miniature Connectors

Technical Data

Materials & Finishes

	Materials	Finishes
Shell	Aluminum alloy	Conductive olive drab chromate cadmium or Zinc *Cadmium free surface coating are available
Contact	Copper alloy	Gold plating per MIL-G-45204 type II
Insulation	Polychloroprene	-
Grommet and seal	Polychloroprene	-

Electrical & Environmental Characteristics

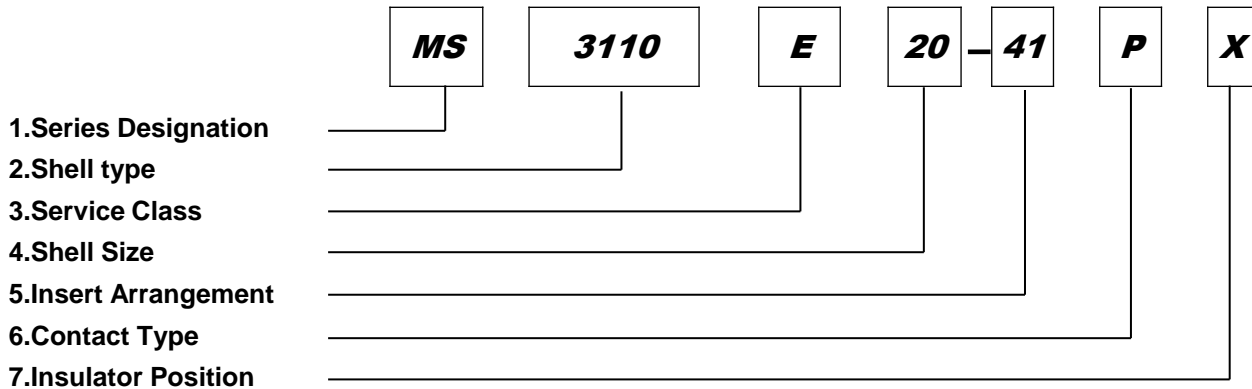
Dielectric withstanding voltage						
Service rating	Operating Voltage		Test Voltage AC(rms),60cps			
	AC	DC	Sea level	50,000(ft)	70,000(ft)	110,000(ft)
I	600	850	1,500	500	375	200
II	1,000	1,275	2,300	750	500	200

Contact Size	AWG Size	Max.Current for test (A) (mated with Insulators)	Potential drop mV at 25°C (Max.)	Dielectric Material O.D Limits (mm)	
				Min.	Max.
#20	#24, 22, 20	7.5	55	1.52	2.11
#16	#20,18,16	13.0	49	1.68	2.77
#12	#12,14	20.0	42	2.46	3.61

Insulation resistance	5,000MΩ, min. (at 25°C)
Temperature range	-55°C to 125°C
Durability	500cycles connection / disconnection

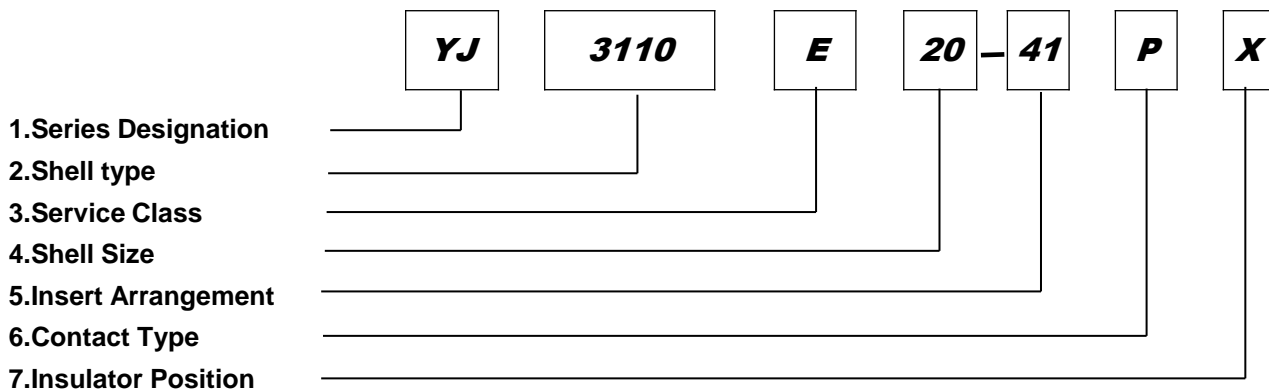
How to order

MIL Part Number System



- | | |
|--|---|
| <p>1. Series Designation:
MIL-C-26482 Standard</p> <p>2. Shell type:
MS3110 - Wall mounting receptacle,
MS3111 - Cable connecting plug,
MS3112 - Box mounting receptacle(class E only) ,
MS3114 - Jam Nut Receptacle ,
MS3116 - Straight Plug,
MS3119 - Thru-Bulkhead Receptacle(class E only),</p> <p>3. Service Class:
A: General purpose(solid endbell)-Not MS approved
E: Environmental resisting with grommet seal except on 3112</p> | <p>F: Environmental resisting with grommet seal and strain relief
P: Potted type with potting boot</p> <p>4. Shell size:
8, 10, 12, 14, 16, 18, 20, 22, 24</p> <p>5. Insert arrangement:
according to MIL-STD-1669</p> <p>6. Contact type:
P- Pin contact,
S- Socket contact</p> <p>7. Insulator position:
N(Normal),W,X,Y,Z (MIL-STD-1669)</p> |
|--|---|

YongJin Part Number System



- | | |
|---|--|
| <p>1. Series Designation:
YongJin Designation(for any modification)</p> <p>2. Shell type:
YJ3110 - Wall mounting receptacle,
YJ3111 - Cable connecting plug,
YJ3112 - Box mounting receptacle(class E only) ,
YJ3114 - Jam Nut Receptacle ,
YJ3116 - Straight Plug,
YJ3119 - Thru-Bulkhead Receptacle(class E only),</p> <p>3. Service Class:
A: General purpose(solid endbell)-Not MS approved
E: Environmental resisting with grommet seal except on 3112</p> | <p>F: Environmental resisting with grommet seal and strain relief
P: Potted type with potting boot</p> <p>4. Shell size:
8, 10, 12, 14, 16, 18, 20, 22, 24</p> <p>5. Insert arrangement:
see page 32</p> <p>6. Contact type:
P- Pin contact,
S- Socket contact</p> <p>7. Insulator position:
see page 33</p> |
|---|--|

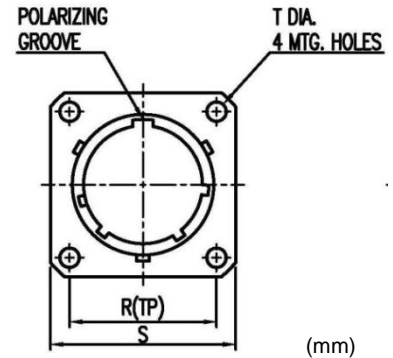
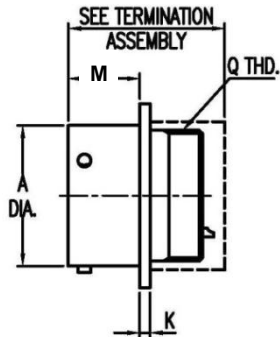
26482



YJ 26482 Series
Connector Dimensions
Miniature Connectors

Receptacle

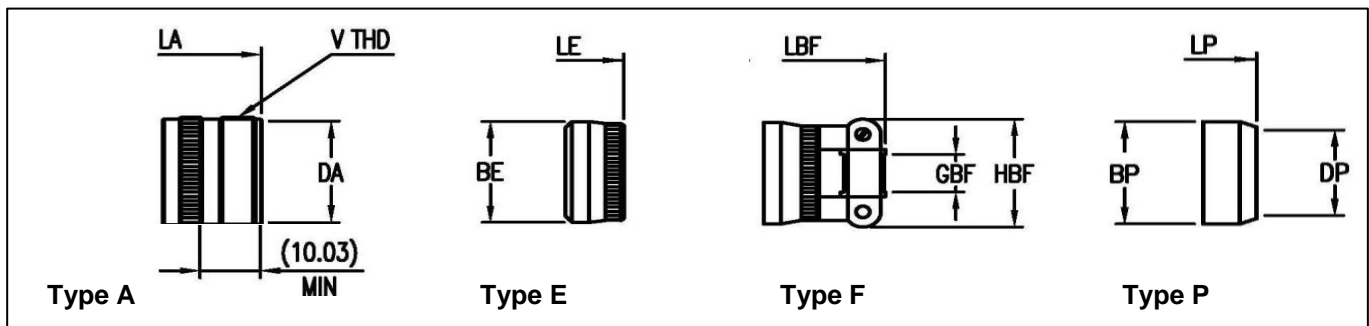
Wall Mounting Receptacle (MS3110)
YJ3110 (Class A,E,F,P)



Shell Size	A ±0.08	K ±0.41	M +0.79 -0.00	□R (TP) ±0.10	□S Max.	T ±0.13	Q Thread Class 2A
8	11.96	1.57	10.95	15.09	21.03	3.05	7/16-28UNEF
10	14.96	1.57	10.95	18.26	24.23	3.05	9/16-24UNEF
12	19.00	1.57	10.95	20.62	26.59	3.05	11/16-24UNEF
14	22.17	1.57	10.95	23.01	28.98	3.05	13/16-20UNEF
16	25.35	1.57	10.95	24.61	31.34	3.05	15/16-20UNEF
18	28.52	1.57	10.95	26.97	33.73	3.05	1-1/16-18UNEF
20	31.70	2.39	14.12	29.36	36.91	3.05	1-3/16-18UNEF
22	34.87	2.39	14.12	31.75	40.08	3.05	1-5/16-18UNEF
24	38.05	2.39	14.12	34.92	43.26	3.73	1-7/16-18UNEF

Termination Assemblies

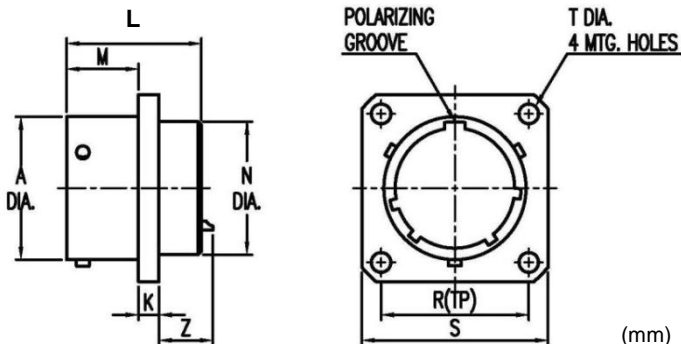
All dimensions are reference only.



Shell Size	TYPE A			TYPE E		TYPE F			TYPE P		
	DA Min.	LA Max.	V Thread class 2A	BE Max.	LE max.	GBF Min.	HBF Max.	LBF Max.	BP Max.	DP min.	LP Max.
8	8.51	36.68	1/2-28UNEF	15.44	33.73	2.92	21.03	48.82	15.44	8.05	36.91
10	11.84	36.68	5/8-24UNEF	18.64	33.73	4.52	22.63	48.82	18.64	11.02	36.91
12	15.01	36.68	3/4-20UNEF	21.79	33.73	7.67	25.81	48.82	21.79	13.92	36.91
14	19.05	36.68	7/8-20UNEF	24.99	33.73	9.27	28.98	48.82	24.99	17.09	36.91
16	21.08	36.68	1-20UNEF	28.19	33.73	12.45	30.56	51.99	28.19	20.27	36.91
18	24.08	36.68	1-3/16-18UNEF	31.34	33.73	15.62	37.31	52.78	31.34	22.83	36.91
20	26.49	43.89	1-3/16-18UNEF	34.54	38.89	15.62	37.31	59.54	34.54	26.01	42.47
22	30.43	43.89	1-7/16-18UNEF	37.69	38.89	18.80	42.06	59.54	37.69	29.18	42.48
24	32.84	44.15	1-7/16-18UNEF	40.89	40.49	20.07	44.45	61.11	40.89	32.36	44.04

Receptacle

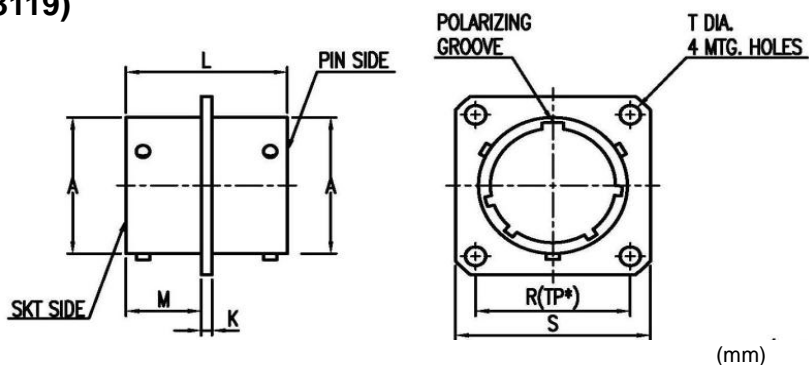
Box Mounting Receptacle (MS3112) YJ3112 (Class E)



Shell Size	A ±0.08	K ±0.41	L Max.	M +0.79 -0.00	N Dia. Max.	□R (TP) ±0.10	□S Max.	T ±0.13	Z Max.
8	11.96	1.57	21.51	10.95	11.91	15.09	21.03	3.05	8.99
10	14.96	1.57	21.51	10.95	15.06	18.26	24.23	3.05	8.99
12	19.00	1.57	21.51	10.95	18.26	20.62	26.59	3.05	8.99
14	22.17	1.57	21.51	10.95	21.41	23.01	28.98	3.05	8.99
16	25.35	1.57	21.51	10.95	24.61	24.61	31.34	3.05	8.99
18	28.52	1.57	21.51	10.95	27.76	26.97	33.73	3.05	8.99
20	31.70	2.39	27.10	14.12	30.96	29.36	36.91	3.05	10.59
22	34.87	2.39	27.10	14.12	34.11	31.75	40.08	3.05	10.59
24	38.05	2.39	28.65	14.96	37.31	34.92	43.26	3.73	11.30

All dimensions are reference only.

Thru-Bulkhead Receptacle (MS3119) YJ3119 (Class E)



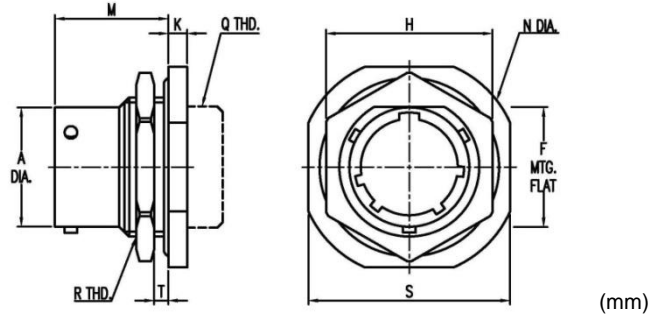
Shell Size	A Dia. ±0.08	K ±0.41	L Max.	M 0/+0.79	R (TP) ±0.10	S Max.	T ±0.13
8	11.96	1.57	28.58	14.27	15.09	21.03	3.05
10	14.96	1.57	28.58	14.27	18.26	24.23	3.05
12	19.00	1.57	28.58	14.27	20.62	26.59	3.05
14	22.17	1.57	28.58	14.27	23.01	28.98	3.05
16	25.35	1.57	28.58	14.27	24.61	31.34	3.05
18	28.52	1.57	28.58	14.27	26.97	33.73	3.05
20	31.70	2.39	35.71	17.48	29.36	36.91	3.05
22	34.87	2.39	35.71	17.48	31.76	40.08	3.05
24	38.05	2.39	35.71	17.48	34.92	43.26	3.73



YJ 26482 Series Connector Dimensions Miniature Connectors

Receptacle

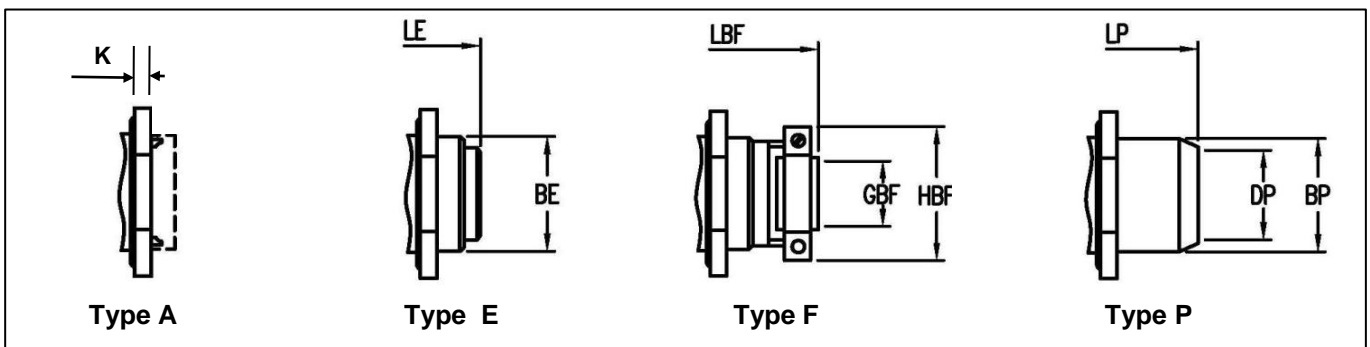
Jam Nut Receptacle(MS3114) YJ3114 (Class A,E,F,P)



Shell Size	A ±0.08	F ±0.13	H ±0.43	K ±0.51	M +0.08 -0.00	N Max.	S Max.	T Panel thickness		R thread Class 2A
								Min.	Max.	
8	11.96	13.34	19.05	2.97	17.55	27.38	24.23	1.57	3.17	9/16-24UNEF
10	14.96	16.51	22.22	2.97	17.55	30.56	27.38	1.57	3.17	11/16-24UNEF
12	19.00	20.65	26.97	2.97	17.55	35.33	32.16	1.57	3.17	7/8-20UNEF
14	22.17	23.80	30.17	2.97	17.55	38.51	35.33	1.57	3.17	1-20UNEF
16	25.35	26.95	33.32	2.97	17.55	41.68	38.51	1.57	3.17	1-1/8-18UNEF
18	28.52	30.12	36.25	2.97	17.55	44.86	41.68	1.57	3.17	1-1/4-18UNEF
20	31.70	33.30	39.67	3.76	22.33	49.63	46.43	1.57	6.35	1-3/8-18UNEF
22	34.87	36.47	42.87	3.76	22.33	52.78	49.63	1.57	6.35	1-1/2-18UNEF
24	38.05	39.65	46.02	3.76	23.16	55.96	52.78	1.57	6.35	1-5/8-18UNEF

All dimensions are reference only.

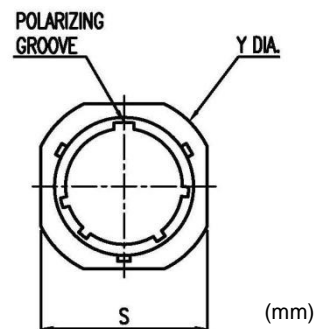
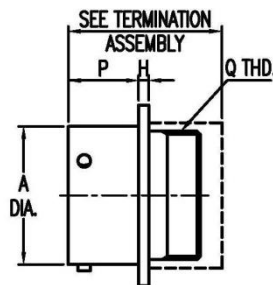
Termination Assemblies



Shell Size	TYPE A	TYPE E		TYPE F			TYPE P		
	K ±0.51	BE Max.	LE max.	GBF Min	HBF Max.	LBF Max.	BP Max.	DP min.	LP Max.
8	2.97	15.44	34.14	2.92	21.03	48.41	15.44	8.05	35.33
10	2.97	18.64	34.14	4.52	22.63	48.41	18.64	11.02	35.33
12	2.97	21.79	34.14	7.67	25.81	48.41	21.79	13.92	35.33
14	2.97	24.99	34.14	9.27	28.98	48.41	24.99	17.09	35.33
16	2.97	28.19	34.14	12.45	30.56	51.99	28.19	20.27	35.33
18	2.97	31.34	34.14	15.62	37.31	52.78	31.34	22.83	35.68
20	3.76	34.54	40.49	15.62	37.31	59.13	34.54	26.01	41.68
22	3.76	37.69	40.49	18.80	42.06	59.13	37.69	29.18	41.68
24	3.76	40.89	41.68	20.07	44.45	62.31	40.89	32.36	43.26

Plug

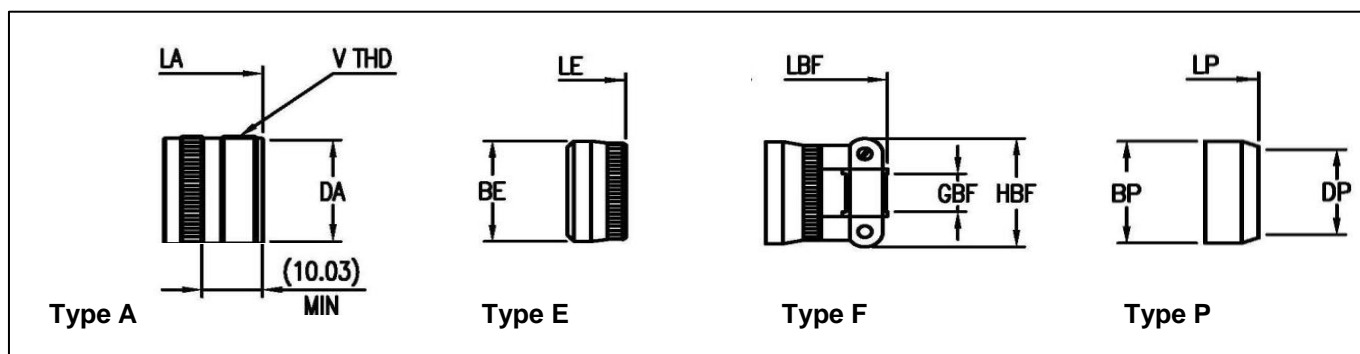
Cable Connecting Plug (MS3111) YJ3111 (Class A,E,F,P)



Shell Size	A ±0.08	H ±0.41	P +0.79 -0.00	S Max.	Y Max.	Q thread Class 2A
8	11.96	2.39	10.16	21.03	24.33	7/16-28UNEF
10	14.96	2.39	10.16	24.23	27.48	9/16-24UNEF
12	19.00	2.39	10.16	26.59	29.87	11/16-24UNEF
14	22.17	2.39	10.16	28.98	32.26	13/16-20UNEF
16	25.35	2.39	10.16	31.34	34.65	15/16-20UNEF
18	28.52	2.39	10.16	33.73	37.03	1-1/16-18UNEF
20	31.70	2.92	13.59	36.91	40.18	1-3/16-18UNEF
22	34.87	2.92	13.59	40.08	43.38	1-5/16-18UNEF
24	38.05	2.92	13.59	43.26	46.53	1-7/16-18UNEF

All dimensions are reference only.

Termination Assemblies



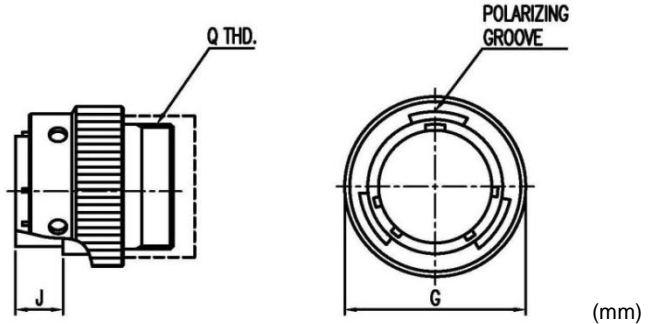
Shell Size	TYPE A			TYPE E		TYPE F			TYPE P		
	DA Min.	LA Max.	V Thread class 2A	BE Max.	LE max.	GBF Min.	HBF Max.	LBF Max.	BP Max.	DP min.	LP Max.
8	8.51	36.68	1/2-28UNEF	15.44	33.73	2.92	21.03	48.82	15.44	8.05	36.91
10	11.84	36.68	5/8-24UNEF	18.64	33.73	4.52	22.63	48.82	18.64	11.02	36.91
12	15.01	36.68	3/4-20UNEF	21.79	33.73	7.67	25.81	48.82	21.79	13.92	36.91
14	19.05	36.68	7/8-20UNEF	24.99	33.73	9.27	28.98	48.82	24.99	17.09	36.91
16	21.08	36.68	1-20UNEF	28.19	33.73	12.45	30.56	51.99	28.19	20.27	36.91
18	24.08	36.68	1-3/16-18UNEF	31.34	33.73	15.62	37.31	52.78	31.34	22.83	36.91
20	26.49	43.89	1-3/16-18UNEF	34.54	38.89	15.62	37.31	59.54	34.54	26.01	42.47
22	30.43	43.89	1-7/16-18UNEF	37.69	38.89	18.80	42.06	59.54	37.69	29.18	42.48
24	32.84	44.15	1-7/16-18UNEF	40.89	40.49	20.07	44.45	61.11	40.89	32.36	44.04



YJ 26482 Series Connector Dimensions Miniature Connectors

Plug

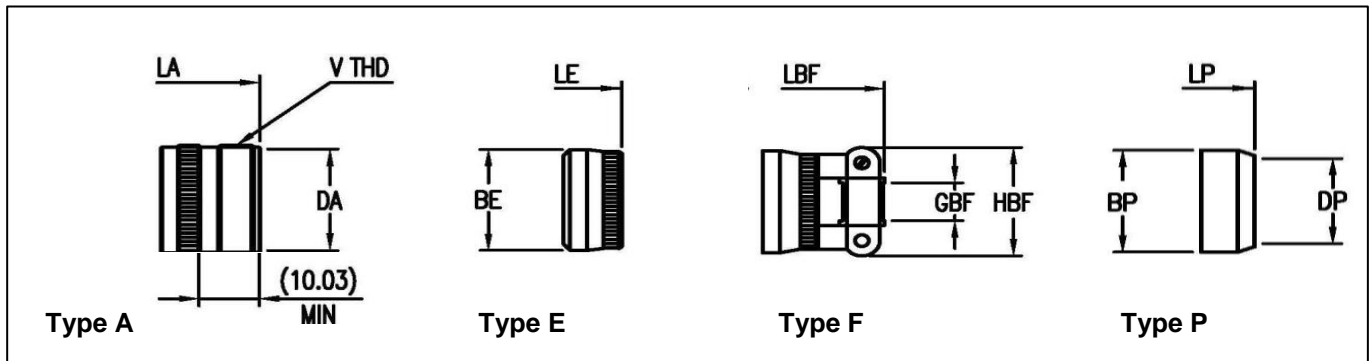
Straight Plug(MS3116) YJ3116 (Class A,E,F,P)



Shell Size	A Dia. Max.	G Dia. Max.	J ± 0.25	Q Thread Class 2A
8	19.43	19.86	8.99	7/16-28UNEF
10	21.34	23.52	8.99	9/16-24UNEF
12	25.38	26.49	8.99	11/16-24UNEF
14	28.93	30.05	8.99	13/16-20UNEF
16	32.03	33.15	8.99	15/16-20UNEF
18	33.96	35.33	8.99	1-1/16-18UNEF
20	37.52	38.89	10.54	1-3/16-18UNEF
22	40.69	42.06	10.54	1-5/16-18UNEF
24	43.76	45.14	10.54	1-7/16-18UNEF

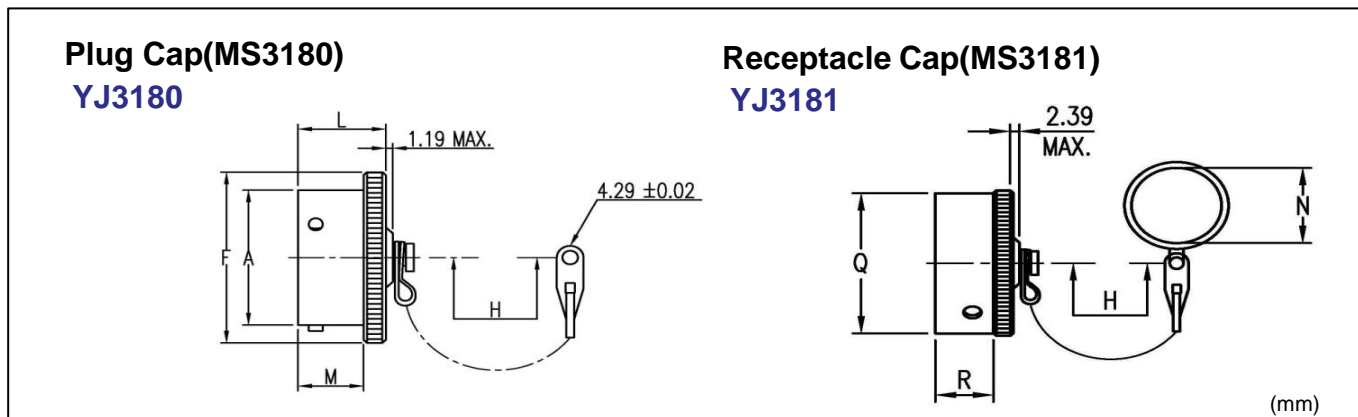
All dimensions are reference only.

Termination Assemblies



Shell Size	TYPE A			TYPE E		TYPE F			TYPE P		
	DA Min.	LA Max.	V Thread class 2A	BE Max.	LE max.	GBF Min	HBF Max.	LBF Max.	BP Max.	DP min.	LP Max.
8	8.51	36.68	1/2-28UNEF	15.44	33.73	2.92	21.03	48.82	15.44	8.05	36.91
10	11.84	36.68	5/8-24UNEF	18.64	33.73	4.52	22.63	48.82	18.64	11.02	36.91
12	15.01	36.68	3/4-20UNEF	21.79	33.73	7.67	25.81	48.82	21.79	13.92	36.91
14	19.05	36.68	7/8-20UNEF	24.99	33.73	9.27	28.98	48.82	24.99	17.09	36.91
16	21.08	36.68	1-20UNEF	28.19	33.73	12.45	30.56	51.99	28.19	20.27	36.91
18	24.08	36.68	1-3/16-18UNEF	31.34	33.73	15.62	37.31	52.78	31.34	22.83	36.91
20	26.49	43.89	1-3/16-18UNEF	34.54	38.89	15.62	37.31	59.54	34.54	26.01	42.47
22	30.43	43.89	1-7/16-18UNEF	37.69	38.89	18.80	42.06	59.54	37.69	29.18	42.48
24	32.84	44.15	1-7/16-18UNEF	40.89	40.49	20.07	44.45	61.11	40.89	32.36	44.04

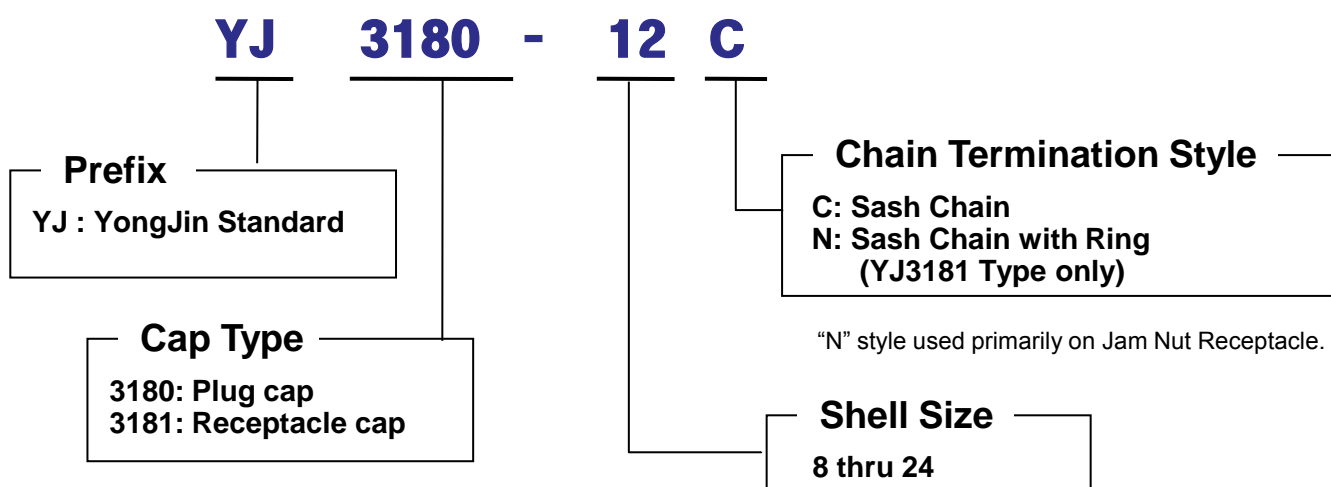
Protection Caps



Shell size	A ±0.8	F Max.	H	L Max.	M 0/+0.79	N Min	Q Max.	R Max.
8	11.96	18.26	76.20	14.27	14.27	14.68	18.64	14.27
10	14.94	21.44	76.20	14.27	14.27	17.86	21.82	14.27
12	19.00	25.40	88.90	14.27	14.27	22.63	28.58	14.27
14	22.17	25.58	88.90	14.27	14.27	25.81	28.58	14.27
16	25.35	31.75	88.90	14.27	14.27	28.98	31.75	14.27
18	28.52	34.93	88.90	14.27	14.27	32.16	34.93	14.27
20	31.70	38.10	101.60	15.88	15.88	35.33	38.10	14.27
22	34.87	41.26	101.60	15.88	15.88	38.51	41.26	14.27
24	38.05	44.45	101.60	16.71	16.71	41.68	44.45	15.29

All dimensions are reference only.

Ordering Information



Materials & Finishes

	Materials	Finishes
Shell	Aluminum alloy	Olive drab chromate coating cadmium or Ni-Zn plating
Sash chain	Stainless steel or Copper	Passivated
Ring/ Rivet	Stainless steel or Copper	Passivated
Gasket	Polychloroprene or Si rubber	-

26482



YJ 26482 Series Contact Arrangement Miniature Connectors

contact legend
#20 #16 #12

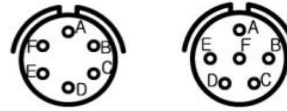
Contact Arrangement

Shell Size 8



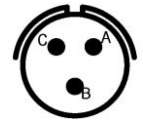
Insert Arrangement	8-2	8-3	8-4	8-33
Service Rating	1	1	1	1
Number of Contacts	2	3	4	3
Contact Size	20	20	20	20

Shell Size 10



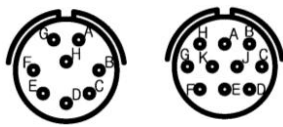
Insert Arrangement	10-6	10-98
Service Rating	1	1
Number of Contacts	6	6
Contact Size	20	20

Shell Size 12



Insert Arrangement	12-3
Service Rating	II
Number of Contacts	3
Contact Size	16

Shell Size 12



Insert Arrangement	12-8	12-10
Service Rating	I	I
Number of Contacts	8	10
Contact Size	20	20

Shell Size 14



Insert Arrangement	14-5	14-12	14-15	14-18	14-19
Service Rating	II	I	I	I	I
Number of Contacts	5	8 4	14 1	18	19
Contact Size	16	20 16	20 16	20	20

Shell Size 16



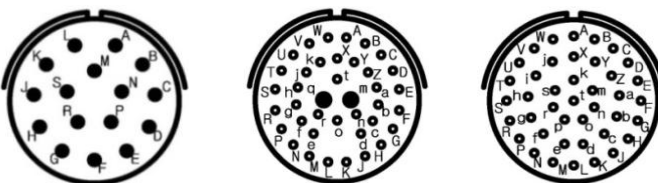
Insert Arrangement	16-8	16-23	16-26
Service Rating	II	I	I
Number of Contacts	8	22 1	26
Contact Size	16	20 16	20

Shell Size 18



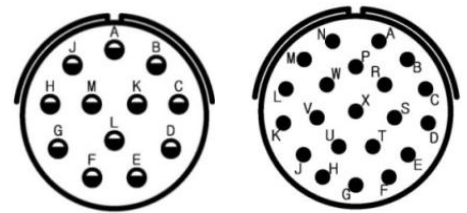
Insert Arrangement	18-11	18-30	18-32
Service Rating	II	I	I
Number of Contacts	11	29 1	32
Contact Size	16	20 16	20

Shell Size 20



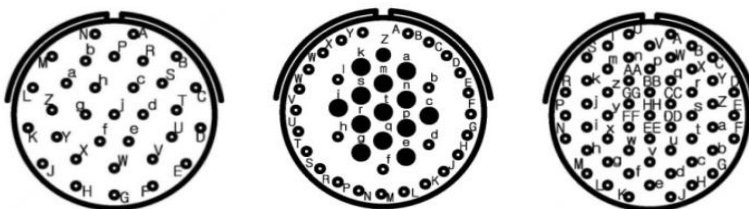
Insert Arrangement	20-16	20-39	20-41
Service Rating	II	I	I
Number of Contacts	16	37 2	41
Contact Size	16	20 16	20

Shell Size 22



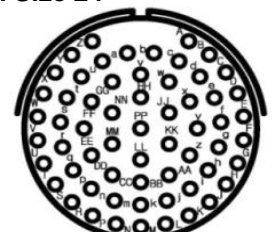
Insert Arrangement	22-12	22-21
Service Rating	I	II
Number of Contacts	12	21
Contact Size	12	16

Shell Size 22



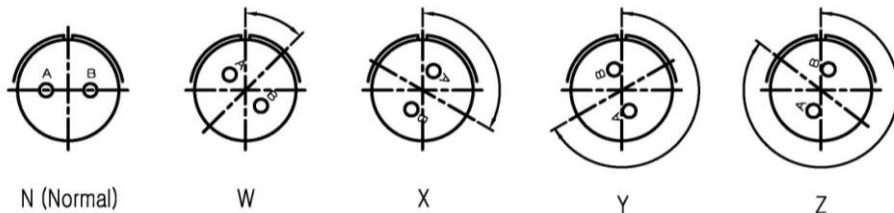
Insert Arrangement	22-32	22-41	22-55
Service Rating	I	I	I
Number of Contacts	32	27 14	55
Contact Size	20	20 16	20

Shell Size 24



Insert Arrangement	24-61
Service Rating	I
Number of Contacts	61
Contact Size	20

Insert Arrangement & Alternate Positioning



Arrange-ment	NO. of Contact	Contact Size	Service Rating	Alternate Positions			
				W	X	Y	Z
8-2	2	# 20	I	58	122	-	-
8-3	3	# 20	I	60	210		
8-4	4	#20	I	45			
8-33	3	#20	I	90			
10-6	6	#20	I	90			
10-98	5	#20	I	90	180	240	270
12-3	3	# 16	II			180	
12-8	8	#20	I	90	112	203	292
12-10	10	#20	I	60	155	270	295
14-5	5	# 16	II	40	92	184	273
14-12	12	8 #20	I	43	90		
		4 #16					
14-15	15	14 #20	I	17	110	155	234
		1 #16					
14-18	18	#20	I	15	90	180	270
14-19	19	#20	I	30	165	315	
16-8	8	#16	II	54	152	180	331
16-23	23	22 #20	I	158	270		
		1 #16					
16-26	26	#20	I	60		275	338
16-99	23	21 #20	I	66	156	223	340
		2 #16					
18-11	11	#16	II	62	119	241	340
18-30	30	29 #20	I	180	193	235	250
		1 #16					
18-32	32	#20	I	85	138	222	265
20-16	16	# 16	II	238	318	333	347
20-24	24	# 20	I	70	145	215	290
20-27	27	# 20	I	72	144	216	288
20-39	39	37 # 20	I	63	144	252	333
		2 # 16					
20-41	41	# 20		45	126	225	-
22-12	12	# 12	I	-	-	-	-
22-21	21	# 16	II	16	135	175	349
22-32	32	# 20	I	72	145	215	288
22-34	34	# 20	I	62	142	218	298
22-41	41	27 # 20	I	39	135	264	-
		14 # 16					
22-55	55	# 20	I	30	142	226	314
24-61	61	# 20	I	90	180	270	324

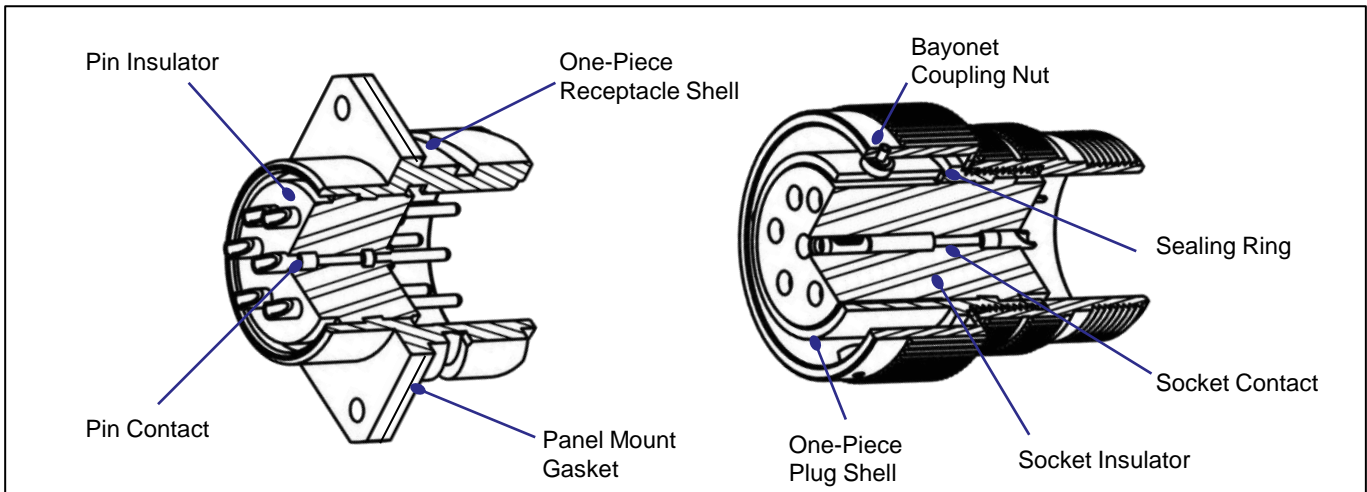
26482



YJB 95234 series
General Description
YJ-Bayonet Connectors

YongJin 95234 Style Connectors

Solder Contact Termination

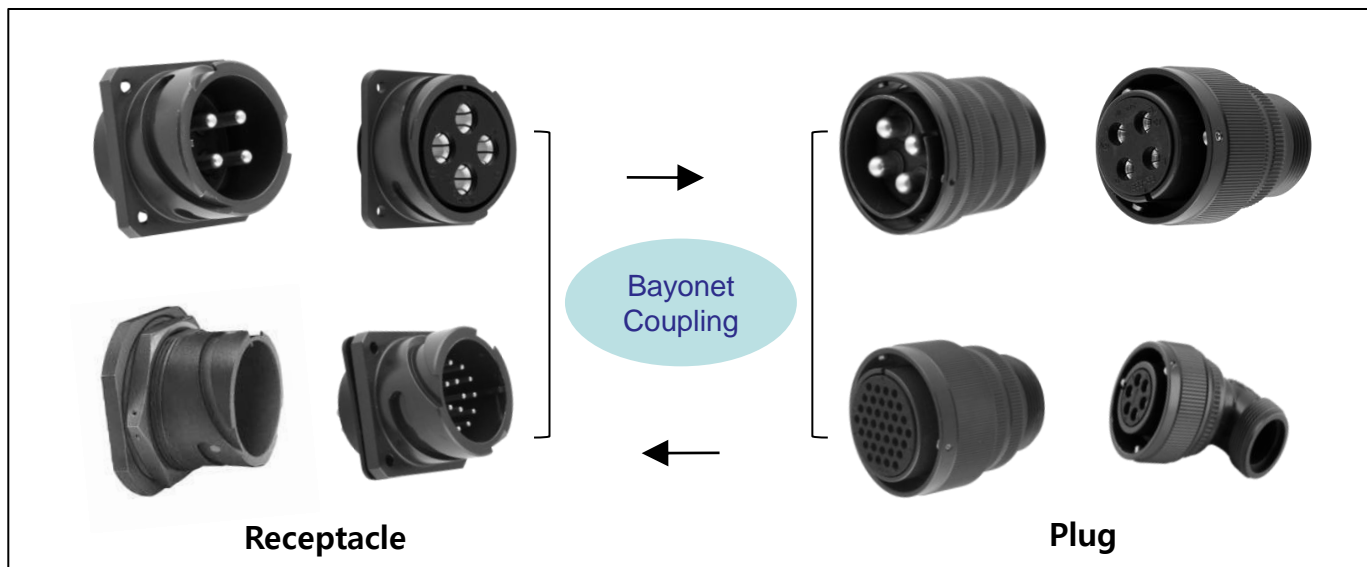


Features/ Benefits

YJ-Bayonet Connector series is an improved version of the threaded MIL-C-5015 series, which was designed in accordance with the VG95234 specification. YJ-Bayonet connector employs a proven bayonet coupling design that provides fast and easy connection / disconnection.

The applications for this rugged connector includes the electrical equipment of trucks, off-road vehicles, ships, earth-moving equipment, telecommunications and others. Connectors in accordance with VG95234 are interchangeable with the corresponding MIL-C-5015 connectors. Both connector lines feature the same shell dimensions and contacts layouts. However, due to the different coupling systems, they are not intermateable.

Typical Mating Guide



Technical Data

Materials & Finishes

	Materials	Finishes
Shell	Aluminum alloy	Olive drab chromate coating cadmium or Zinc *Cadmium free surface coatings are available
Contact	Copper alloy	Silver plating
Insulation	Polychloroprene	-
Grommet and seal	Silicon Rubber	-

Contact Rating

Contact Size		Max. Rated current, A	Max. Contact Resistance, mΩ
Metric	AWG		
10	-	8	12
15/15S	16/16S	22	6
25	12	41	3
60/100	8	74	1
160	4	135	0.5
500	0	245	0.2

This test has to be made according to VG95234 part 2, test no. 5.10.1 and VG95210 part 37

Separating / Retention Force

Contact Size		Separating force		Retention Test force, N
Metric	AWG	N	Gage(1)	
10	-	0.30	G0.99	30
15/15S	16/16S	1.00	G1.56	35
25	12	1.50	G2.36	55
60/100	8	3.00	G3.58	80
160	4	4.00	G5.69	90
500	0	8.50	G9.04	95

Test Voltage

Service rating	Test Voltage (V)	Min. Contact spacing(mm)
Inst.	1,050	0.7
A	1,600	1.1
D	2,500	2.8
E	3,000	4.8

Coupling Torque

Shell Size	Allowable coupling torque, closing and opening, Nm max.	Opening Nm Min.
10SL	1.7	0.15
14S	3.6	0.35
16S/16	5.5	0.46
18	8.00	0.58
20	9.00	0.70
22	11.00	0.80
24	14.00	0.80
28	17.00	0.92
32	19.00	1.03
36	23.00	1.03

Other Characteristics

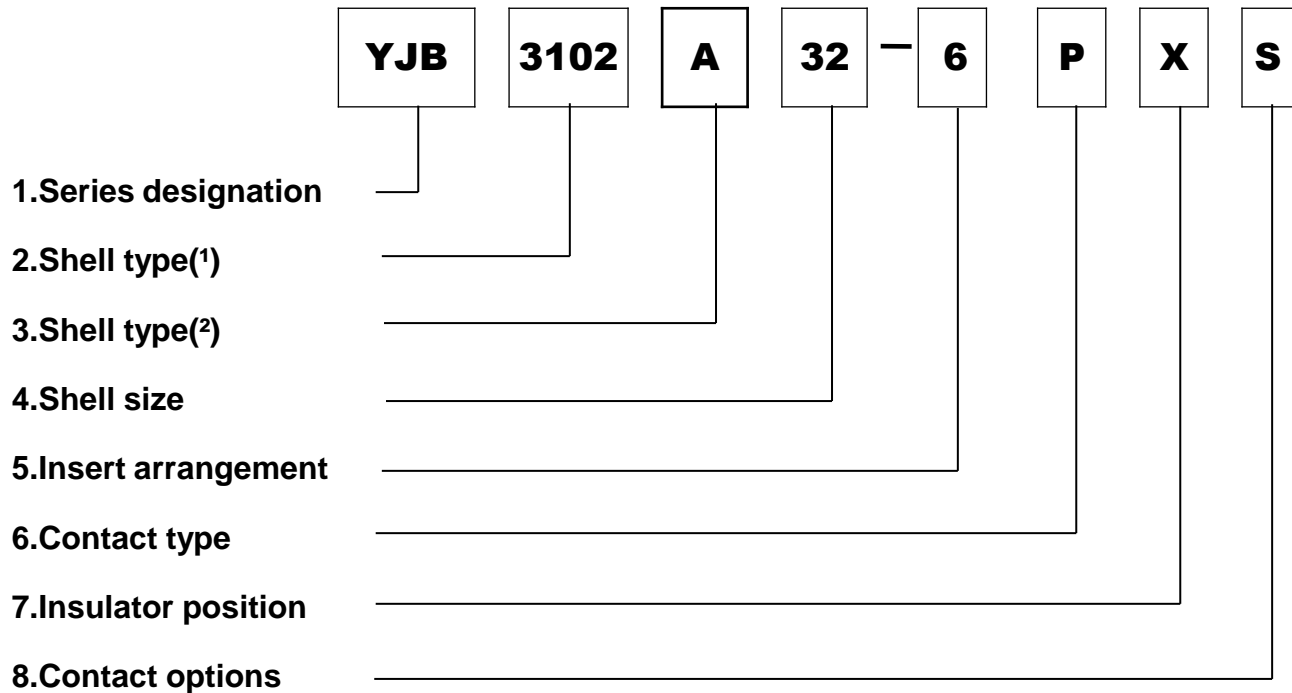
Insulation resistance	Standard Insulator: 1,000MΩ, minimum (at 25°C)
Temperature range	-55°C to 125°C
Durability	500cycles connection / disconnection
Degree of water proof	IP 67 (mated pair)



YJB 95234 series
Ordering Information
YJ-Bayonet Connectors

How to order

(Part Number System)



1. Series :YongJin Designation(for any modification)

2.Shell type(1):

- 3100 - Wall mounting receptacle,
- 3101 - Cable connecting plug,
- 3102 - Box mounting receptacle
- 3106 - Straight Plug,
- 3108 - Angle Plug
- 3109 – Through-bulkhead Receptacle

3.Shell type(2):

see page 37~39 for the details

4.Shell size:

- 10SL, 14S, 16S, 16, 18, 20, 22, 24, 28, 32 and 36

5.Insert Arrangement:

see page 43~45

6.Contact type:

- P- Pin contact, S- Socket contact PS-one side pin, one side socket(only for 3109)

7.Insulator position:

see page 46

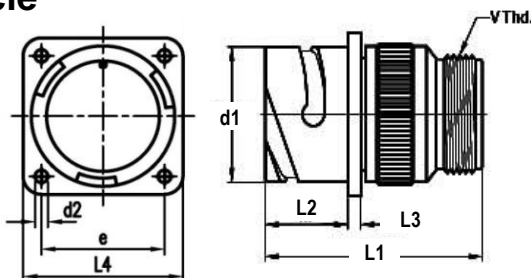
8.Contact Options

- S-Solder contact, C- Crimp contact

Receptacle

Wall Mounting Receptacle

YJB3100



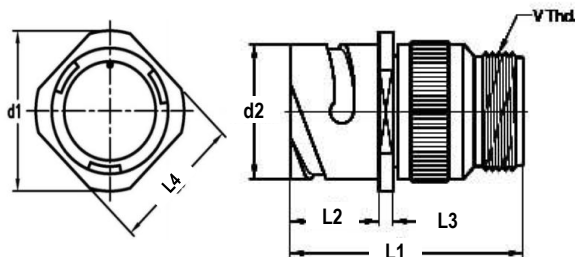
(mm)

Shell size	d ₁ -0.15/0	d ₂ 0/+0.1	e ±0.1	L ₁ max.	L ₂ 0/+0.4	L ₃ ±0.2	L ₄ ±0.3	V Thread-2A
10SL	18.20	3.20	18.20	60	18.20	2.80	25.40	5/8-24UNEF
14S	24.60	3.20	23.00	62	18.20	3.20	30.00	3/4-20UNEF
16S	27.40	3.20	24.60	70	18.20	3.20	32.50	7/8-20UNEF
16	27.40	3.20	24.60	70	21.50	3.20	32.50	7/8-24UNEF
18	30.80	3.20	24.00	77	23.05	4.00	35.00	1-20UNEF
20	34.20	3.20	29.40	77	23.05	4.00	38.00	1 3/16-18UNEF
22	37.40	3.20	31.80	77	23.05	4.00	41.00	1 3/16-18UNEF
24	40.90	3.70	34.90	85	23.05	4.00	44.50	1 7/16-18UNEF
28	46.70	3.70	39.70	85	24.05	4.00	50.80	1 7/16-18UNEF
32	53.40	4.30	44.50	85	24.05	4.00	57.00	1 3/4-18UNS
36	59.60	4.30	49.20	105	24.05	4.00	63.50	2-18UNS

All dimensions are reference only.

Cable Connecting Plug

YJB3101



(mm)

Shell size	d ₁ max.	d ₂ -0.15/0.	L ₁ max.	L ₂ 0/+0.4	L ₃ ±0.2	L ₄ ±0.2	V Thread-2A
10SL	25.2	18.20	38.88	14.2	2.80	20.60	5/8-24UNEF
14S	29.8	24.60	42.87	14.2	3.20	25.40	3/4-20UNEF
16S	32.3	27.40	42.87	14.2	3.20	28.60	7/8-20UNEF
16	32.3	27.40	52.37	19.0	3.20	28.60	7/8-24UNEF
18	34.8	30.80	52.37	19.0	4.00	31.70	1-20UNEF
20	37.8	34.20	55.57	19.0	4.00	34.90	1 3/16-18UNEF
22	41.1	37.40	55.57	19.0	4.00	38.10	1 3/16-18UNEF
24	44.6	40.90	58.72	20.6	4.00	41.30	1 7/16-18UNEF
28	50.9	46.70	58.72	20.6	4.00	47.60	1 7/16-18UNEF
32	57.1	53.40	61.92	22.2	4.00	54.00	1 3/4-18UNS
36	63.7	59.60	61.92	22.2	4.00	60.60	2-18UNS

All dimensions are reference only.

95234

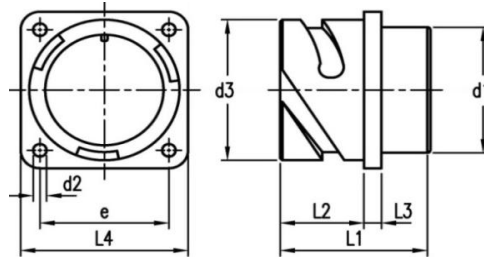


YJB 95234 series
Connector Dimensions
YJ–Bayonet Connectors

Receptacle

Box Mounting Receptacle

YJB3102



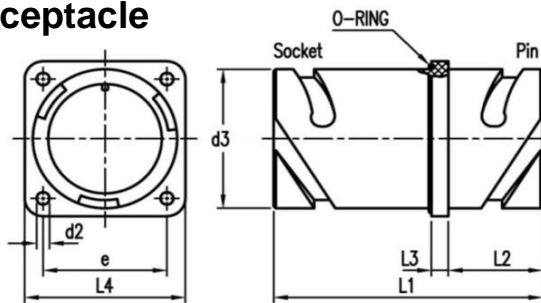
(mm)

Shell Size	d ₁ max.	d ₂ 0/+0.1	d ₃ -0.15/0	e ±0.1	L ₁ ±0.3	L ₂ 0/+0.4	L ₃ ±0.2	L ₄ ±0.3
10SL	16.20	3.20	18.20	18.20	24.70	14.20	2.80	25.40
14S	19.20	3.20	24.60	23.00	24.70	14.20	3.20	30.00
16S	22.40	3.20	27.40	24.60	24.70	14.20	3.20	32.50
16	22.40	3.20	27.40	24.60	33.80	19.00	3.20	32.50
18	25.60	3.20	30.80	27.00	33.80	19.00	4.00	35.00
20	29.00	3.20	34.20	29.40	33.80	19.00	4.00	38.00
22	32.20	3.20	37.40	31.80	33.80	19.00	4.00	41.00
24	35.30	3.70	40.90	34.90	33.80	20.60	4.00	44.50
28	41.40	3.70	46.70	39.70	33.80	20.60	4.00	50.80
32	47.80	4.30	53.40	44.50	33.80	22.20	4.00	57.00
36	52.60	4.30	59.60	49.20	33.80	22.20	4.00	63.50

All dimensions are reference only.

Through-bulkhead Receptacle

YJB3109



(mm)

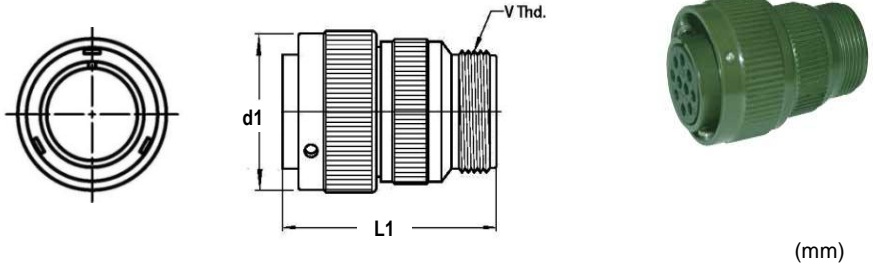
Shell size	d ₂ 0/+0.1	d ₃ -0.15/0	e ±0.1	L ₁ ±0.7	L ₂ 0/+0.3	L ₃ ±0.2	L ₄ ±0.3
10SL	3.20	18.20	18.20	37.50	18.20	2.80	25.40
14S	3.20	24.60	23.00	37.50	18.20	3.20	30.00
16S	3.20	27.40	24.60	37.50	18.20	3.20	32.50
16	3.20	27.40	24.60	51.40	21.50	3.20	32.50
18	3.20	30.80	27.00	51.40	21.50	4.00	35.00
20	3.20	34.20	29.40	51.40	21.50	4.00	38.00
22	3.20	37.40	31.80	51.40	21.50	4.00	41.00
24	3.70	40.90	34.90	51.40	23.05	4.00	44.50
28	3.70	46.70	39.70	51.40	23.05	4.00	50.80
32	4.30	53.40	44.50	51.40	24.05	4.00	57.00
36	4.30	59.60	49.20	51.40	24.05	4.00	63.50

All dimensions are reference only.

Plug

Straight Plug

YJB3106



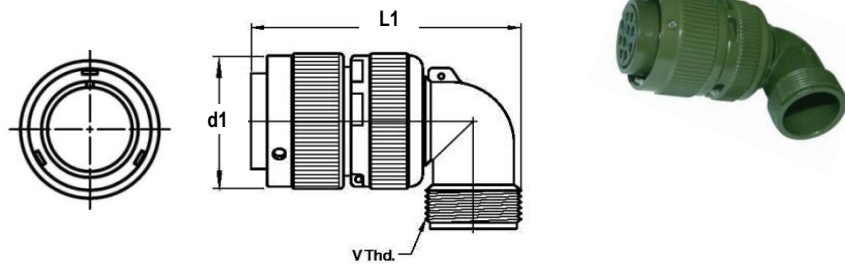
(mm)

Shell size	d ₁ max.	L ₁ max.	V Thread-2A
10SL	22.8	38.88	5/8-24UNEF
14S	29.2	42.87	3/4-20UNEF
16S	32.0	42.87	7/8-20UNEF
16	32.0	52.37	7/8-24UNEF
18	36.5	52.37	1-20UNEF
20	39.9	55.57	1 3/16-18UNEF
22	43.1	55.57	1 3/16-18UNEF
24	46.6	58.72	1 7/16-18UNEF
28	53.4	58.72	1 7/16-18UNEF
32	60.1	61.92	1 3/4-18UNS
36	66.3	61.92	2-18UNS

All dimensions are reference only.

Right Angle Plug, 90°

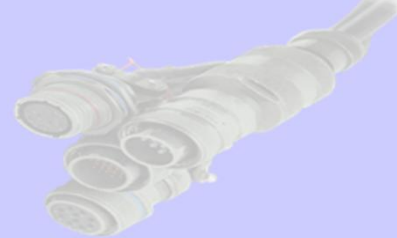
YJB3108



(mm)

Shell size	d ₁ max.	L ₁ max.	V Thread-2A
10SL	22.8	46.02	5/8-24UNEF
14S	29.2	53.97	3/4-20UNEF
16S	32.0	60.32	7/8-20UNEF
16	32.0	65.07	7/8-24UNEF
18	36.5	68.27	1-20UNEF
20	39.9	76.98	1 3/16-18UNEF
22	43.1	76.98	1 3/16-18UNEF
24	46.6	86.51	1 7/16-18UNEF
28	53.4	86.51	1 7/16-18UNEF
32	60.1	95.25	1 3/4-18UNS
36	66.3	100.02	2-18UNS

All dimensions are reference only.

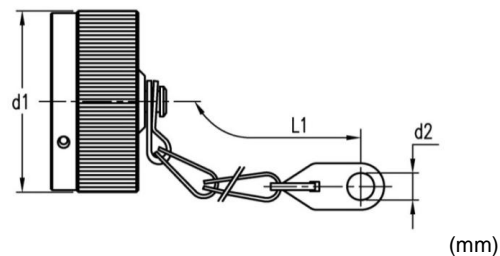


Accessory Dimensions

Protective covers

for receptacle connectors

YJB25043-00



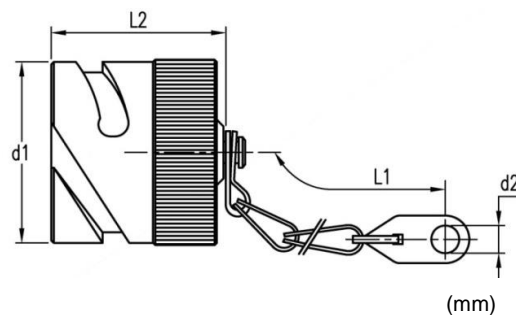
Part Number	Shell size	d ₁ max.	d ₂ 0/+0.6	L ₁ min.	L ₂ max.
YJB25043-10SL	10SL	23.5	4.3	90.0	20.0
YJB25043-14S	14S	30.5	4.3	90.0	20.0
YJB25043-16S	16S	30.0	4.3	90.0	20.0
YJB25043-16	16	30.0	4.3	100.0	25.0
YJB25043-18	18	37.5	4.3	100.0	25.0
YJB25043-20	20	41.0	4.3	115.0	25.0
YJB25043-22	22	44.0	4.3	115.0	25.0
YJB25043-24	24	47.5	4.3	115.0	25.0
YJB25043-28	28	54.5	5.5	160.0	25.0
YJB25043-32	32	61.0	5.5	160.0	25.0
YJB25043-36	36	67.5	5.5	160.0	25.0

All dimensions are reference only.

Protective covers

for plug connectors

YJB25042-00

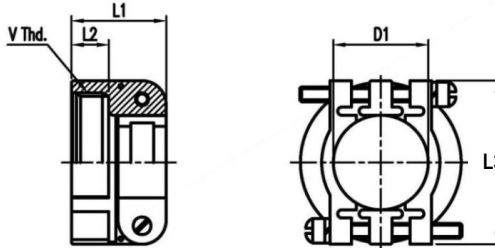


Part Number	Shell size	d ₁ 0/-0.15	d ₂ 0/+0.6	L ₁ Approx.	L ₂ max.
YJB25042-10SL	10SL	21.0	4.3	90.0	29.0
YJB25042-14S	14S	27.5	4.3	100.0	29.0
YJB25042-16S	16S	30.0	4.3	100.0	29.0
YJB25042-16	16	30.0	4.3	115.0	37.0
YJB25042-18	18	33.5	4.3	115.0	37.0
YJB25042-20	20	37.0	4.7	130.0	37.0
YJB25042-22	22	40.0	4.7	130.0	37.0
YJB25042-24	24	43.5	4.7	130.0	37.0
YJB25042-28	28	49.5	4.7	190.0	37.0
YJB25042-32	32	56.0	5.5	190.0	37.0
YJB25042-36	36	62.5	5.5	190.0	37.0

All dimensions are reference only.

Accessory Dimensions

Cable clamp YJB3057-00

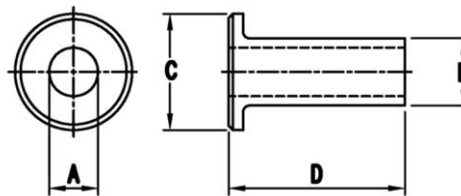


(mm)

Part Number	Shell size	V-thread	D ₁ max	L ₁ max	L ₂ max	L ₃ min
YJB3057-04	10SL	5/8-24UNEF-2B	7.9	20.8	10.5	22.5
YJB3057-06	14S	3/4-20UNEF-2B	11.1	22.4	10.5	27.4
YJB3057-08	16S	7/8-20UNEF-2B	14.2	24.0	10.5	29.8
YJB3057-08	16	7/8-20UNEF-2B	14.2	24.0	10.5	29.8
YJB3057-10	18	1-20UNEF-2B	15.8	24.0	10.5	32.2
YJB3057-12	20	1-3/16-18UNEF-2B	19	24.0	10.5	37.4
YJB3057-12	22	1-3/16-18UNEF-2B	19	24.0	10.5	37.4
YJB3057-16	24	1-7/16-18UNEF-2B	23.7	26.4	10.5	43.5
YJB3057-16	28	1-7/16-18UNEF-2B	23.7	26.4	10.5	43.5
YJB3057-20	32	1-3/4-18UNS-2B	31.8	28.0	12.0	51.7
YJB3057-24	36	2-18UNS-2B	34.6	29.6	13.7	57.8

All dimensions are reference only.

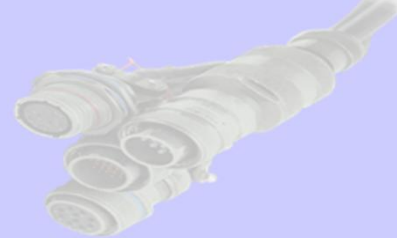
Telescope Bushing YJB3420-00



(mm)

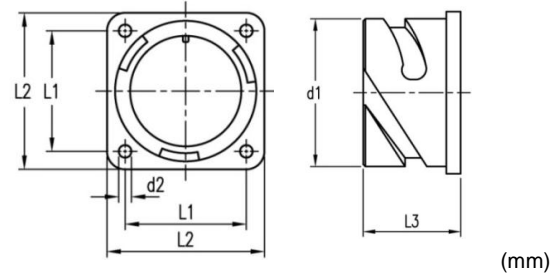
Part Number	Shell Size	ΦA ±0.41	ΦB ±0.41	ΦC ±0.41	D ±0.79
YJB3420-04	10SL	5.59	7.67	12.83	69.85
YJB3420-06	14S	7.92	10.85	15.72	66.68
YJB3420-08	16S	11.10	14.02	18.90	63.50
YJB3420-08	16S	11.10	14.02	18.90	63.50
YJB3420-10	18	14.27	15.62	22.07	60.32
YJB3420-12	20	15.88	18.80	27.03	57.15
YJB3420-12	22	15.88	18.80	27.03	57.15
YJB3420-16	24	19.05	23.55	33.38	53.98
YJB3420-16	28	19.05	23.55	33.38	53.98
YJB3420-20	32	23.80	31.50	40.54	50.82
YJB3420-24	36	31.75	34.67	46.91	47.62

All dimensions are reference only.



Accessory Dimensions

Dummy receptacle **YJB3105-00**



Part Number	Shell size	L ₁ ±0.1	L ₂ ±0.3	L ₃ ±0.4	d ₁ -0.15/0	d ₂ 0/+0.1
YJB3105-10SL	10SL	18.2	25.4	17.5	18.2	3.2
YJB3105-14S	14S	23.0	30.0	18.0	24.6	3.2
YJB3105-16S	16S	24.6	32.5	18.0	27.4	3.2
YJB3105-16	16	24.6	32.5	23.5	27.4	3.2
YJB3105-18	18	27.0	35.0	23.5	30.8	3.2
YJB3105-20	20	29.4	38.0	23.5	34.2	3.2
YJB3105-22	22	31.8	41.0	23.5	37.4	3.2
YJB3105-24	24	34.9	44.5	25.5	40.9	3.7
YJB3105-28	28	39.7	50.8	27.0	46.7	3.7
YJB3105-32	32	44.5	57.0	27.0	53.4	4.3
YJB3105-36	36	49.2	63.5	27.0	59.6	4.3

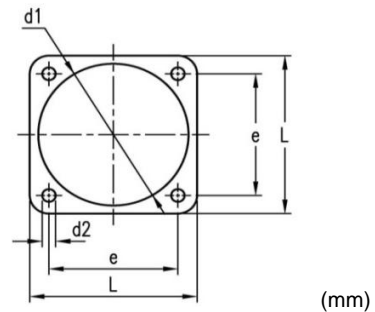
All dimensions are reference only.

Gasket

YJB52000F-00-0 ; for front panel mounting

YJB52000R-00-0 ; for rear panel mounting

(ex)YJB52000F-20-1; designates gasket (1.0mm) for front panel mounting connector, shell size 20



Shell size	D ₁ (0/+1.0)		d ₂ 0/+0.5	e ±0.2	L ±0.5	Thickness	
	for front panel	for rear panel				#1	#2
10SL	15.7	18.2	4.2	18.2	25.4	1.0	0.5
14S	22.1	24.6	4.2	23.0	30.0	1.0	0.5
16S	25.3	27.4	4.2	24.6	32.5	1.0	0.5
16	25.3	27.4	4.2	24.6	32.5	1.0	0.5
18	28.4	30.8	4.2	27.0	35.0	1.0	0.5
20	31.6	34.2	4.2	29.4	38.0	1.0	0.5
22	34.8	37.4	4.2	31.8	41.0	1.0	0.5
24	38.0	40.9	4.2	34.9	44.5	1.0	0.5
28	44.3	46.7	5.1	39.7	50.8	1.0	0.5
32	50.7	53.4	5.1	44.5	57.0	1.0	0.5
36	57.0	59.6	5.1	49.2	63.5	1.0	0.5

All dimensions are reference only.

Contact Arrangement



Shell Size 10



Insert Arrangement	10SL-3	10SL-4
Service Rating	INST,A	A
Number of Contacts	3	2
Contact Size	16	16

Shell Size 14



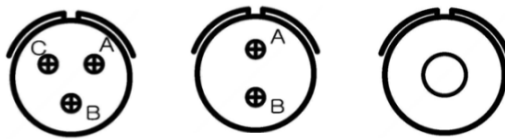
Insert Arrangement	14S-1	14S-5	14S-6	14S-12
Service Rating	A	INST	INST	A
Number of Contacts	3	5	6	3
Contact Size	16	16	16	16

Shell Size 16



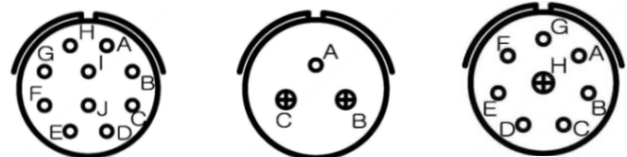
Insert Arrangement	16S-1
Service Rating	A
Number of Contacts	7
Contact Size	16

Shell Size 16



Insert Arrangement	16-10	16-11	16-12
Service Rating	A	A	A
Number of Contacts	3	2	1
Contact Size	12	12	4

Shell Size 18



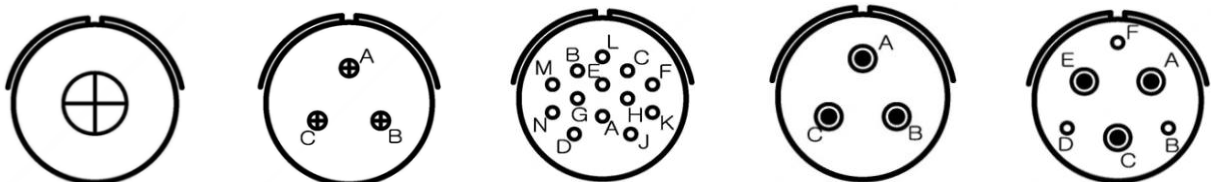
Insert Arrangement	18-1	18-5	18-8
Service Rating	B,C,F,G=A; all others=INST.	D	A
Number of Contacts	10	1 2	7 1
Contact Size	16	16 12	16 12

Shell Size 18



Insert Arrangement	18-10	18-11	18-12	18-19	18-21
Service Rating	A	A	A	A	A
Number of Contacts	4	5	6	10	3
Contact Size	12	12	16	16	12

Shell Size 20



Insert Arrangement	20-2	20-3	20-11	20-19	20-22
Service Rating	D	D	INST	A	A
Number of Contacts	1	3	13	3	3 3
Contact Size	0	12	16	8	16 8

Shell Size 22



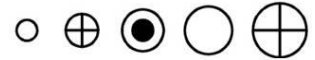
Insert Arrangement	20-23	20-29	22-2	22-12
Service Rating	A	A	D	D
Number of Contacts	2	17	3	2 3
Contact Size	8	16	8	8 16

95234



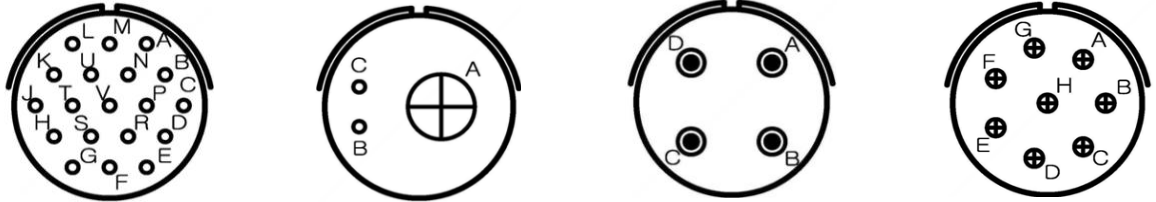
YJB 95234 series
Contact Arrangement
YJ-Bayonet Connectors

Contact Arrangement



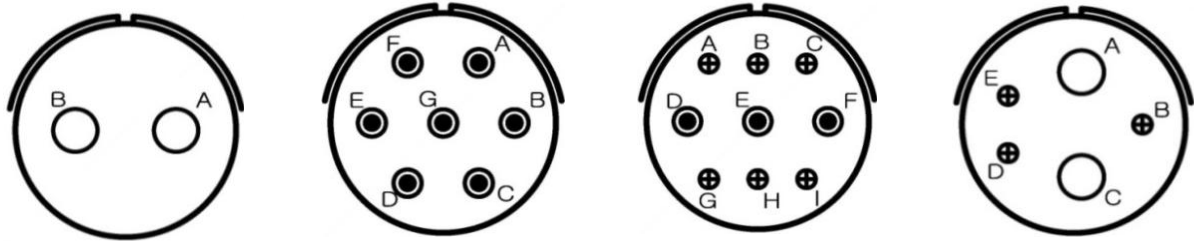
Contact Legend 16 12 8 4 0

Shell Size 22

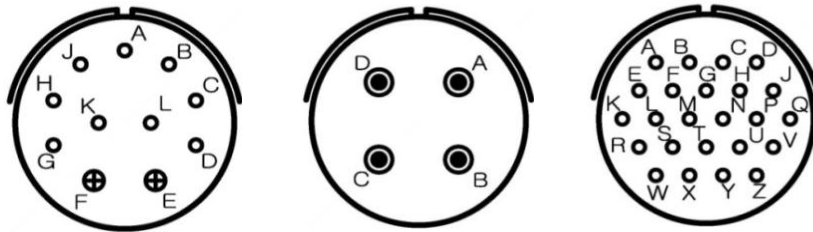


Insert Arrangement	22-14	22-21	22-22	22-23
Service Rating	A	A	A	A, B, C, D, E, F, G=A ; H=D
Number of Contacts	19	2 1	4	8
Contact Size	16	16 0	8	12

Shell Size 24

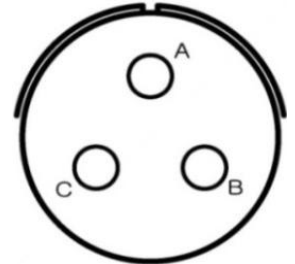


Insert Arrangement	24-9	24-10	24-11	24-12
Service Rating	A	A	A	A
Number of Contacts	2	7	6 3	3 2
Contact Size	4	8	12 8	12 4



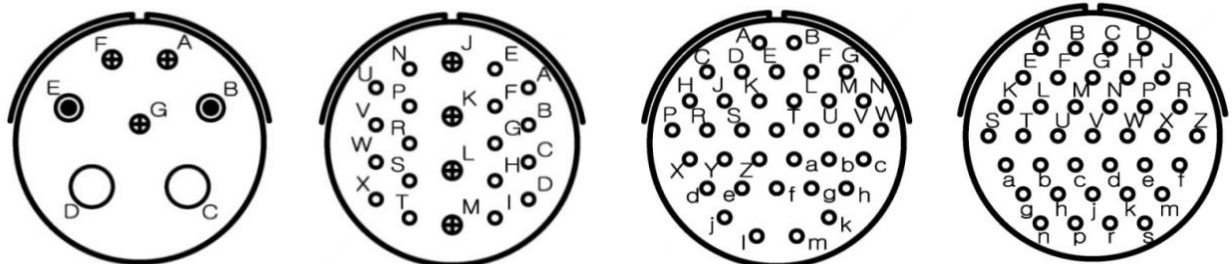
Insert Arrangement	24-20	24-22	24-28
Service Rating	D	D	INST
Number of Contacts	9 2	4	24
Contact Size	16 12	8	16

Shell Size 28



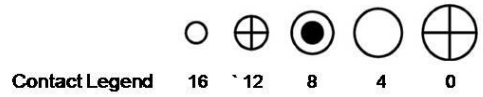
Insert Arrangement	28-6
Service Rating	D
Number of Contacts	3
Contact Size	4

Shell Size 28

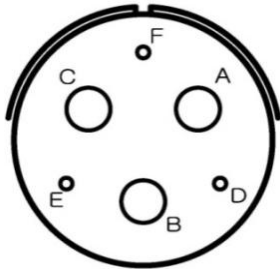


Insert Arrangement	28-10	28-11	28-15	28-21
Service Rating	G=D; all others=A	A	A	A
Number of Contacts	3 2 2	18 4	35	37
Contact Size	12 8 4	16 12	16	16

Contact Arrangement

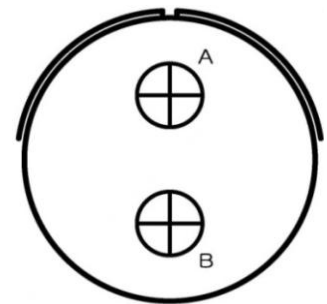
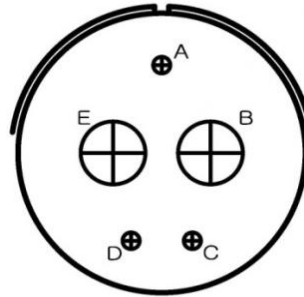


Shell Size 28

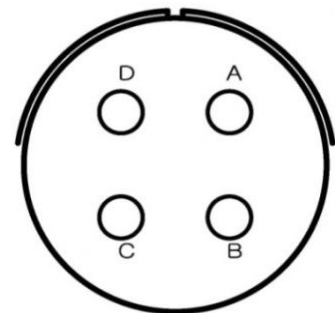
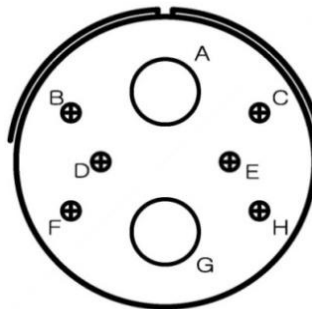
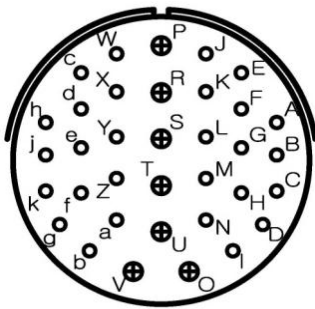


Insert Arrangement	28-22
Service Rating	D
Number of Contacts	3 3
Contact Size	16 4

Shell Size 32

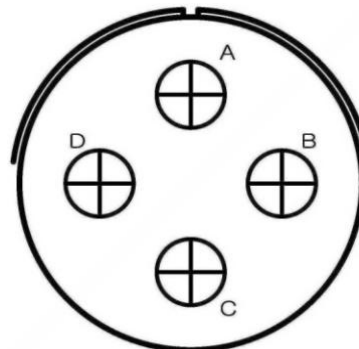
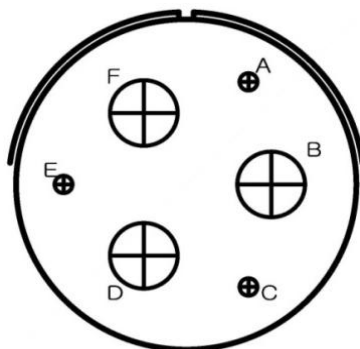


	32-1	32-5
Service Rating	A=E; all others=D	D
Number of Contacts	3 2	2
Contact Size	12 0	0



Insert Arrangement	32-7	32-15	32-17
Service Rating	A,B,H,j=ISNT; all others=A	D	D
Number of Contacts	28 7	6 2	4
Contact Size	16 12	12 0	4

Shell Size 36



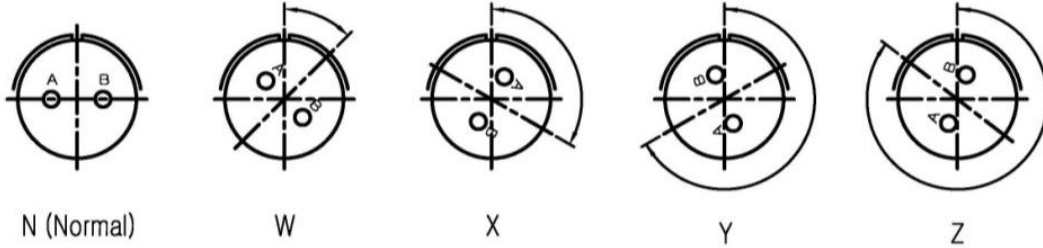
Insert Arrangement	36-3	36-5
Service Rating	D	A
Number of Contacts	3 3	4
Contact Size	12 0	0

95234



YJB 95234 series
Insert Arrangement
YJ-Bayonet Connectors

Insert Arrangement & Alternate Positioning



Contact Arrangement	Service Rating	Total Cont-acts	Contact Size					Alternate Position-Degrees				Contact Arrangement	Service Rating	Total Cont-acts	Contact Size					Alternate Position-Degrees			
			0	4	8	12	16	W	X	Y	Z				0	4	8	12	16	W	X	Y	Z
10SL-3	A	3					3	-	-	-	-	22-21	A	3	1				2	-	-	-	-
10SL-4	A	2					2	-	-	-	-	22-22	A	4			4			-	110	250	-
14S-1	A	3					3	-	-	-	-	22-23	D/A	8			8		35	-	250	-	
14S-5	INST	5					5	-	110	-	-	24-9	A	2		2			35	110	250	325	
14S-6	INST	6					6	-	-	-	-	24-10	A	7		7			80	-	-	280	
14S-12	A	3					3	-	-	-	-	24-11	A	9		3	6		35	110	250	325	
16-12	A	1		1				-	-	-	-	24-12	A	5		2	3		80	110	250	280	
18-1	A/Inst	10					10	70	145	215	290	24-20	D	11			2	9	80	110	250	280	
18-5	D	3				2	1	80	110	250	280	24-22	D	4		4			45	110	250	-	
18-8	A	8				1	7	70	-	-	290	24-28	INST	24				24	80	110	250	280	
18-10	A	4				4		-	120	240	-	28-5	D	5		2	1	2	-	-	-	-	
18-11	A	5				5		-	170	265	-	28-6	D	3		3			70	145	215	290	
18-12	A	6					6	80	-	-	280	28-9	D	12			6	6	80	110	250	280	
18-19	A	10					10	-	120	240	-	28-10	D/A	7		2	2	3		80	110	250	280
18-21	A	3				3		-	-	-	-	28-11	A	22			4	18	80	110	250	280	
20-2	D	1		1				-	-	-	-	28-15	A	35				35	80	110	250	280	
20-3	D	3				3		70	145	215	290	28-21	A	37			37		80	110	250	280	
20-11	INST	13					13	-	-	-	-	28-22	D	6		3		3	70	145	215	290	
20-19	A	3				3		90	180	270	-	32-5	D	2	2				35	110	250	325	
20-22	A	6			3		3	80	110	250	280	32-7	INST/A	35			7	28	80	125	235	280	
20-23	A	2			2			35	110	250	325	32-15	D	8	2		6		35	110	250	280	
20-29	A	17					17	80	-	-	280	32-17	D	4		4			45	110	250	280	
22-2	D	3			3			70	145	215	290	36-3	D	6	3		3		70	145	215	290	
22-12	D	5			2		3	80	110	250	280	36-5	A	4	4				-	120	240	-	
22-14	A	19					19	80	110	250	280												

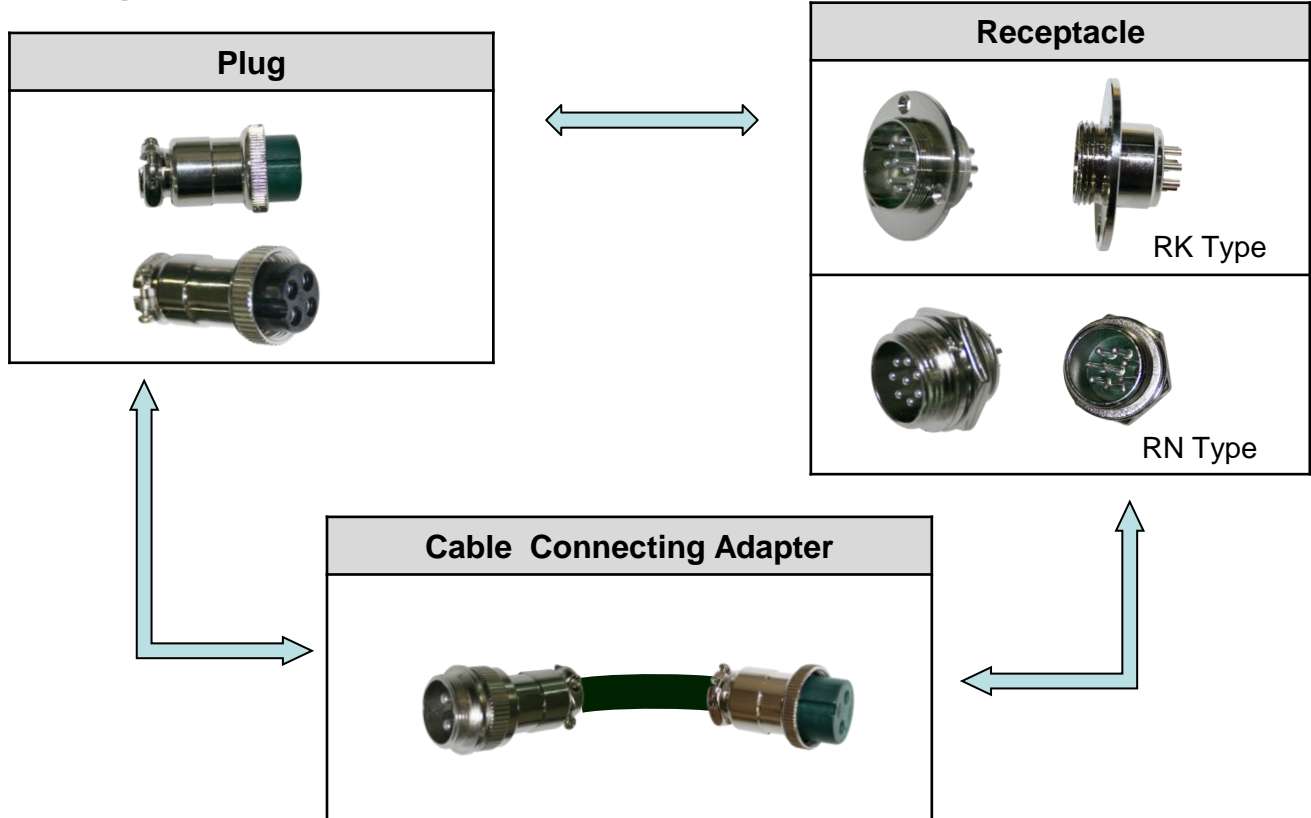
YongJin Circular Connectors, 12~40 Shell size

General Description

YJ Circular series connectors are generally called metal plug, receptacle and are popularly used in commercial applications where a low cost, yet durable multi contact connector is required. These circular connectors feature rugged and simple construction and are stable in electrical and mechanical performances, but with cost effective features. Thus these connectors are widely used in electric and communication field.



Mating Guide



Shell Type

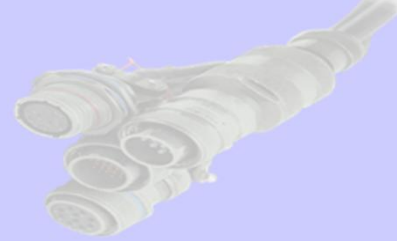
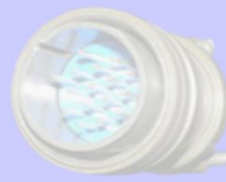
YCPL ; Straight Plug

YCRK ; Box Mounting Receptacle

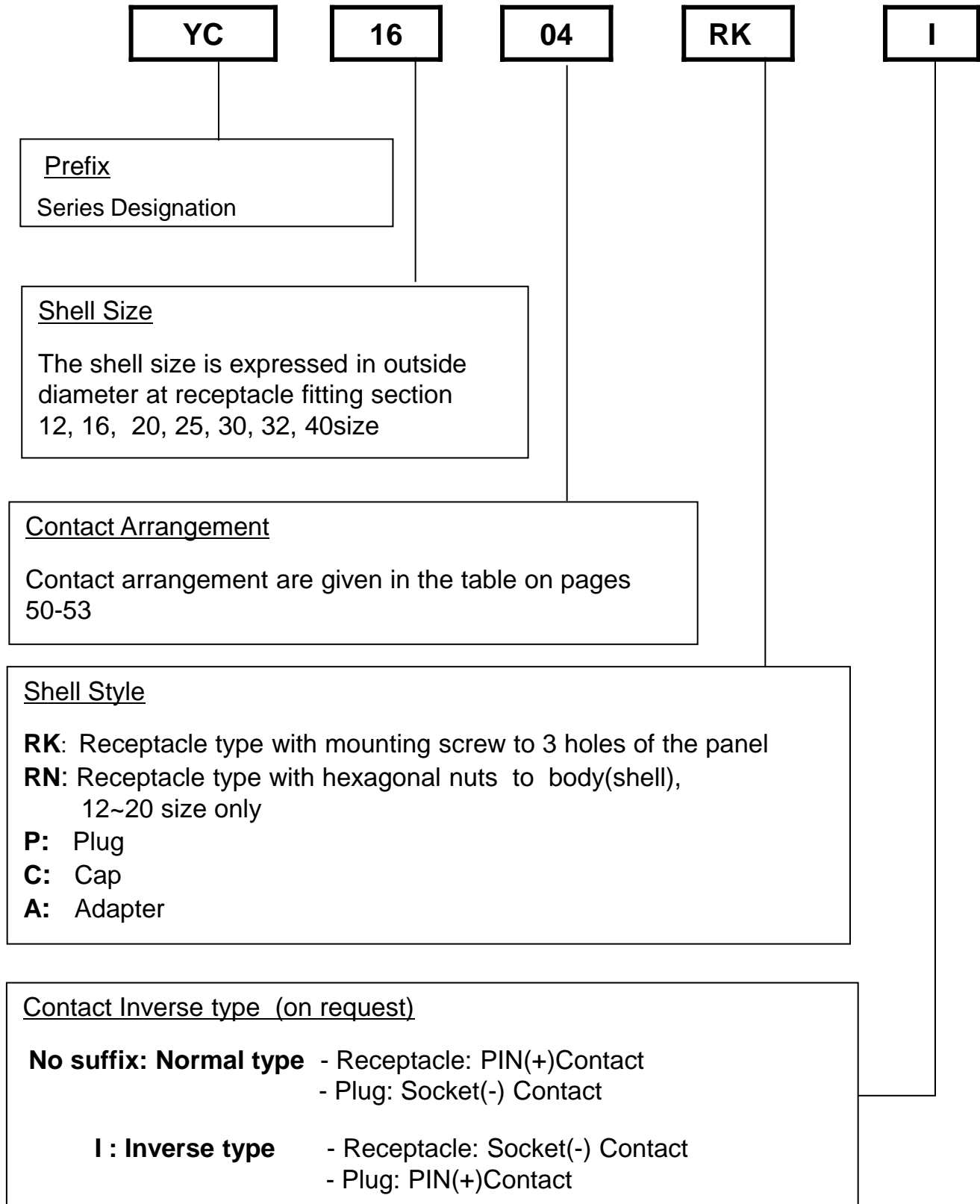
YCRN ; Jam Nut Receptacle

YCCA ; Cable Adapter

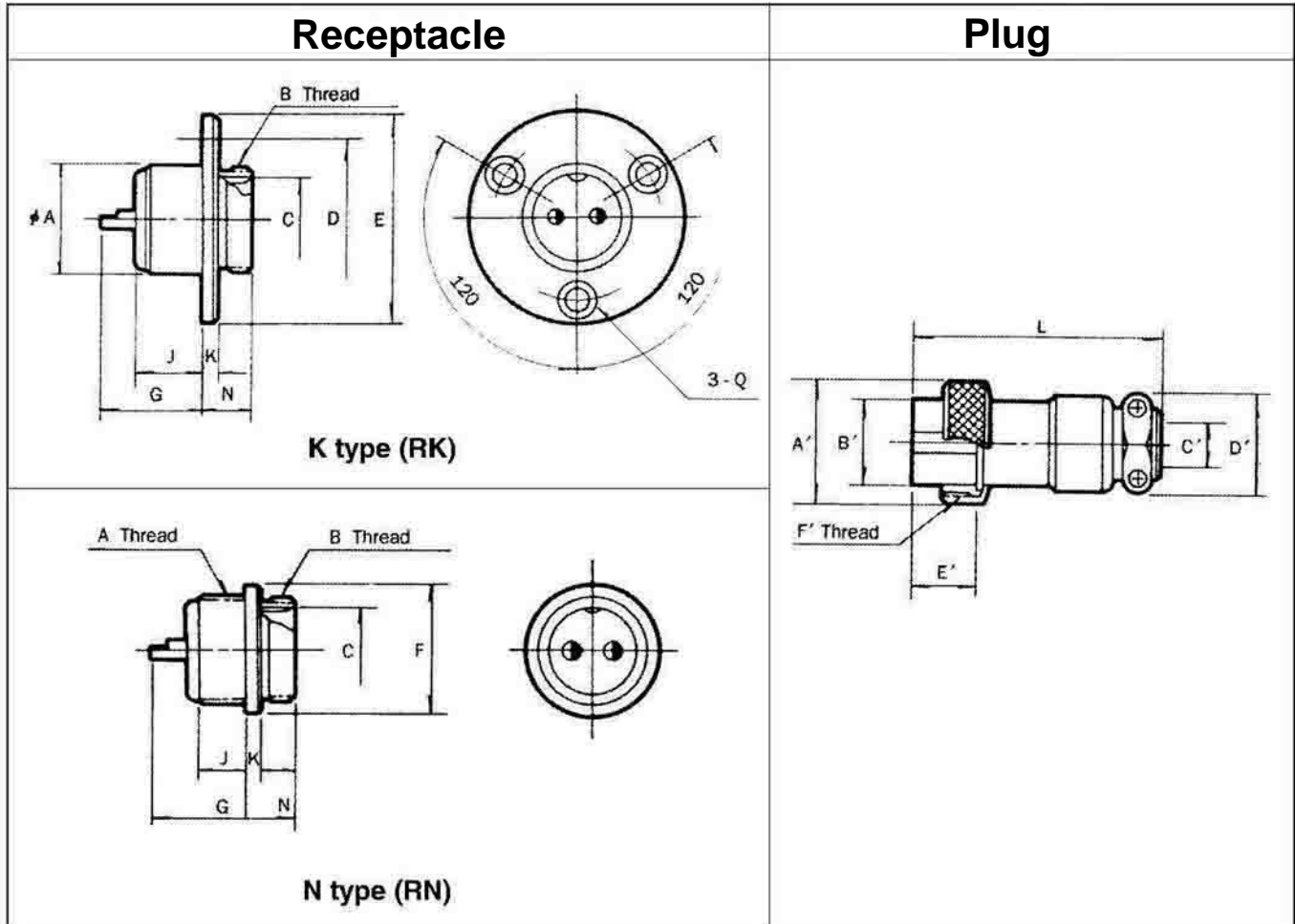
YCCR ; Cap for Receptacle



How to order



Dimensions



SHELL SIZE	ϕA	A thread	B thread	C (ϕ)	D (ϕ)	E (ϕ)	F (ϕ)	G	J	K	L	N	Q (ϕ)	A' (ϕ)	B' (ϕ)	C' (ϕ)	D' (ϕ)	E'	F' thread
12	12.0	M12X0.75	M13X0.75	9.6	17.0	22.0	15.0	12.3	8.3	1.5	28.5	5.0	3.2	14.0	9.4	5.0	12.0	5.0	M13X0.75
16	16.0	M16X0.75	M16X1.0	13.0	24.0	30.7	19.0	14.0	7.0	2.0	35.7	7.0	3.2	18.0	12.7	6.4	13.5	9.0	M16X1.0
20	19.0	M19X0.75	M19X1.0	16.0	25.5	32.0	23.0	14.0	9.5	2.0	43.0	8.0	3.2	21.0	15.5	8.2	17.0	12.0	M19X1.0
25	25.0		M25X1.25	22.0	34.0	41.8		19.0	13.0	2.5	50.0	8.5	3.2	28.0	21.5	11.0	22.5	13.0	M25X1.25
30	29.0		M29X1.0	25.7	37.0	45.5		19.0	13.0	2.0	53.5	8.0	3.2	33.0	25.0	13.0	25.8	13.0	M29X1.0
32	32.0		M34X1.0	29.0	42.0	51.0		25.0	14.0	2.0	60.5	8.0	3.2	38.0	28.3	15.0	30.0	13.5	M34X1.0
40	40.0		M41.5X1.5	35.5	50.0	58.0		29.5	18.5	2.0	68.7	9.0	3.2	45.5	34.8	18.0	38.0	16.7	M41.5X1.5

* 41.5 x 1.5P thread is abnormal thread.



YJ Circular series
Contact Arrangement
 YJ Circular Connectors

Contact Arrangement

Contact diameter	1.0mm	1.2	1.5	1.8	2	2.5	3.0	3.5	4.0	4.5	7.0
Symbol	•	◐	○	⊕	⊖	◑	⊙	⊗	⊕	⊖	⊗

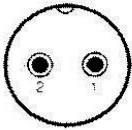
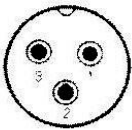
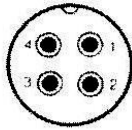
Shell size	12 - 02	12 - 04
Contact Arrangements		
Current rating	3A	3A
Withstand voltage	AC500V a minute	AC500V a minute
Insulation resistance	1000M Ω MIN.	1000M Ω MIN.
Contact resistance	5m Ω MAX	5m Ω MAX

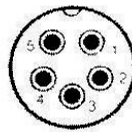
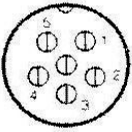
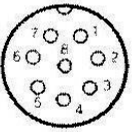
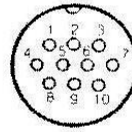
Shell size	16 - 02	16 - 03	16 - 04
Contact Arrangements			
Current rating	5A	5A	5A
Withstand voltage	AC500V a minute	AC500V a minute	AC500V a minute
Insulation resistance	1000M Ω MIN.	1000M Ω MIN.	1000M Ω MIN.
Contact resistance	5mΩ MAX	5mΩ MAX	5mΩ MAX

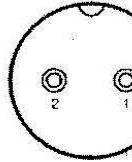
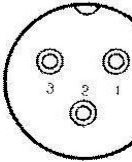
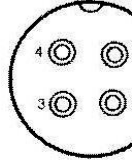
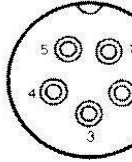
16 - 05	16 - 06	16 - 07	16 - 08
5A	3A	3A	3A
AC500V a minute	AC500V a minute	AC500V a minute	AC500V a minute
1000M Ω MIN.	1000M Ω MIN.	1000M Ω MIN.	1000M Ω MIN.
5mΩ MAX	5mΩ MAX	5mΩ MAX	5mΩ MAX

Contact Arrangement

Contact diameter	1.0mm	1.2	1.5	1.8	2	2.5	3.0	3.5	4.0	4.5	7.0
Symbol	•	◐	○	⊕	⊖	◑	⊙	⊗	⊕	⊖	⊗

Shell size	20 - 02	20 - 03	20 - 04
Contact Arrangements			
Current rating	7A	7A	7A
Withstand voltage	AC1000V a minute	AC1000V a minute	AC1000V a minute
Insulation resistance	1000M Ω MIN.	1000M Ω MIN.	1000M Ω MIN.
Contact resistance	5mΩ MAX	5mΩ MAX	5mΩ MAX

20 - 05	20 - 06	20 - 08	20 - 10
			
7A	7A	7A	7A
AC1000V a minute	AC1000V a minute	AC1000V a minute	AC1000V a minute
1000M Ω MIN.	1000M Ω MIN.	1000M Ω MIN.	1000M Ω MIN.
5mΩ MAX	5mΩ MAX	5mΩ MAX	5mΩ MAX

Shell size	25 - 02	25 - 03	25 - 04	25 - 05
Contact Arrangements				
Current rating	10A	10A	10A	10A
Withstand voltage	AC1000V a minute	AC1000V a minute	AC1000V a minute	AC1000V a minute
Insulation resistance	1000M Ω MIN.	1000M Ω MIN.	1000M Ω MIN.	1000M Ω MIN.
Contact resistance	5mΩ MAX	5mΩ MAX	5mΩ MAX	5mΩ MAX



YJ Circular series
Contact Arrangement
YJ Circular Connectors

Contact Arrangement

Contact diameter	1.0mm	1.2	1.5	1.8	2	2.5	3.0	3.5	4.0	4.5	7.0
Symbol	•	◐	○	⊕	⊖	◑	⊙	⊗	⊕	⊖	⊗

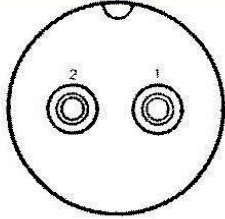
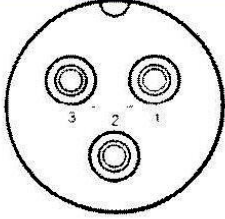
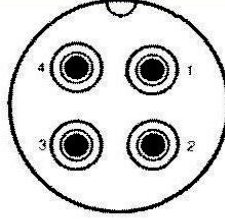
Shell size	25 - 06	25 - 08	25 - 10	25 - 12
Contact Arrangements				
Current rating	5A	5A	5A	5A
Withstand voltage	AC1000V a minute	AC1000V a minute	AC1000V a minute	AC1000V a minute
Insulation resistance	1000MΩ MIN.	1000MΩ MIN.	1000MΩ MIN.	1000MΩ MIN.
Contact resistance	5mΩ MAX	5mΩ MAX	5mΩ MAX	5mΩ MAX

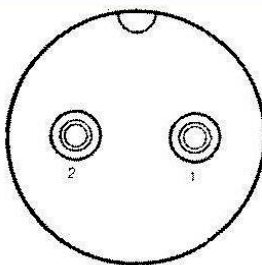
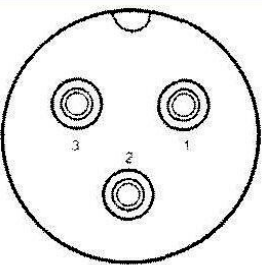
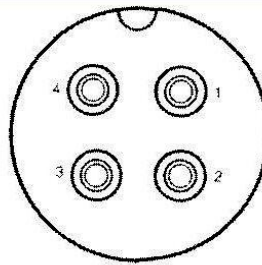
Shell size	30 - 02	30 - 03	30 - 04
Contact Arrangements			
Current rating	15A	15A	15A
Withstand voltage	AC1000V a minute	AC1000V a minute	AC1000V a minute
Insulation resistance	1000MΩ MIN.	1000MΩ MIN.	1000MΩ MIN.
Contact resistance	5mΩ MAX	5mΩ MAX	5mΩ MAX

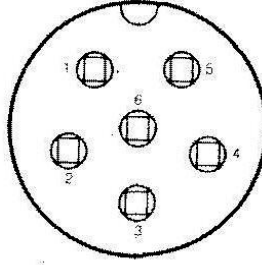
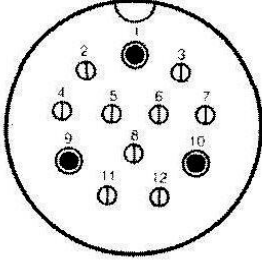
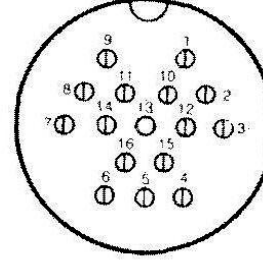
30 - 06	30 - 08	30 - 10	30 - 14
15A	15A	15A	15A
AC1000V a minute	AC1000V a minute	AC1000V a minute	AC1000V a minute
1000MΩ MIN.	1000MΩ MIN.	1000MΩ MIN.	1000MΩ MIN.
5mΩ MAX	5mΩ MAX	5mΩ MAX	5mΩ MAX

Contact Arrangement

Contact diameter	1.0mm	1.2	1.5	1.8	2	2.5	3.0	3.5	4.0	4.5	7.0
Symbol	•	◐	○	⊕	⊖	◑	⊙	⊗	⊕	⊖	⊗

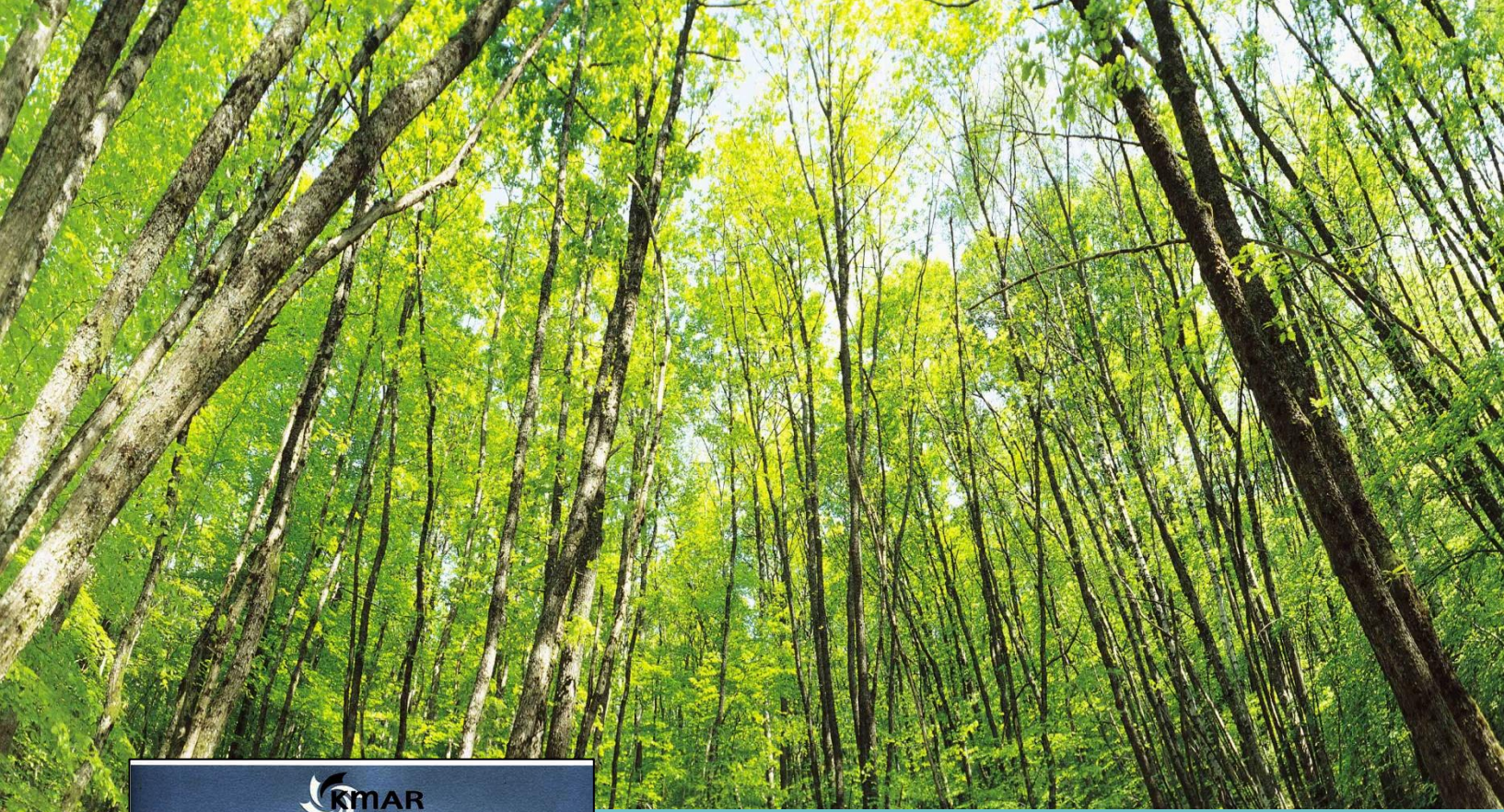
Shell size	32 - 02	32 - 03	32 - 04
Contact Arrangements			
Current rating	30A	30A	30A
Withstand voltage	AC1000V a minute	AC1000V a minute	AC1000V a minute
Insulation resistance	1000M Ω MIN.	1000M Ω MIN.	1000M Ω MIN.
Contact resistance	5mΩ MAX	5mΩ MAX	5mΩ MAX

Shell size	40 - 02	40 - 03	40 - 04
Contact Arrangements			
Current rating	40A	40A	40A
Withstand voltage	AC1000V a minute	AC1000V a minute	AC1000V a minute
Insulation resistance	1000MΩ MIN.	1000MΩ MIN.	1000MΩ MIN.
Contact resistance	5mΩ MAX	5mΩ MAX	5mΩ MAX

Shell size	40 - 06	40 - 12	40 - 16
Contact Arrangements			
Current rating	20A	1.9, 10A 9EA-5A	5A
Withstand voltage	AC1000V a minute	AC1000V a minute	AC1000V a minute
Insulation resistance	1000MΩ MIN.	1000MΩ MIN.	1000MΩ MIN.
Contact resistance	5mΩ MAX	5mΩ MAX	5mΩ MAX



MEMO





Certificate No. : RQM3586

Quality Management System Certificate

This is to certify that
the quality management system of

YONG JIN ELECOMM CO.,LTD.
at
#147, Nae-dong, Ojeong-gu, Bucheon-si, Gyeonggi, Korea

Has been found to conform to the Quality Management System Standards:
KS A 9001:2001 / ISO 9001:2000

This Certificate is valid for the following product or service ranges:
*Design, Development, Manufacture, Sale and Servicing of
Communication Connector and Ass'y*

Issue Date
Oct. 27, 2008

Certification Date : Oct. 1, 2007 Valid Date : Sep. 30, 2010



Authorized By *K H Park*
Ki Ho Park, President

* KH Mark indicates that KMAR is accredited by the KAS (No. KAS-02-17)
* IAF Mark indicates that KMAR is Accredited by the member of the International Accreditation Forum Multilateral Recognition Arrangement
* KQMS CODE: 13F (initial certification date: Oct. 1, 2007)
KMAR | 1stong, 12F, Ace High Tech City, #55-20, Mulla-dong, 3-ga, Yeongdeungpo-gu, Seoul, 150-972, Korea

Quality & Environment Management

YongJin Quality Management

We, YongJin Elecomm, pursue excellence in customer satisfaction through continuous innovations, which shall result in delivering the best RF Passive products and services.

To enable us to deliver this policy, we improve continuously our processes by monitoring our performance indicators - marketing, planning, R&D, production, quality, sales and service.

Our quality management system is certified as complying ISO 9001, and is constantly updated. All the staff members, employees and interested parties are required to be educated and announced positively to achieve the optimum quality objectives. Personnel who are responsible for assuring quality are independent and free from manufacturing, cost and schedule pressures.

YongJin Environmental Management

We recognizes that environment protection is a core element of our corporate activities and constantly observes an environment policy to fulfill its social responsibilities through sustainable product development.

Our environment management system is certified in accordance with ISO 14001, confirming that our environment policy is effectively implemented.

YongJin Elecomm also conforms to the legal requirements regarding environment and safety, and sets strict internal standards, which will be subject to permanent update and improvement.



Certificate No. : EJM1299

Environmental Management System Certificate

This is to certify that
the environmental management system of

YONG JIN ELECOMM CO.,LTD.
at
#147, Nae-dong, Ojeong-gu, Bucheon-si, Gyeonggi, Korea

has been found to conform to the Environmental Management System Standards:
KS A ISO 14001:2004 / ISO 14001:2004

This Certificate is valid for the following product or service ranges:
*Design, Development, Manufacture, Sale and Servicing of
Communication Connector and Ass'y*

Issue Date
Oct. 27, 2008

Certification Date : Oct. 27, 2008 Valid Date : Oct. 26, 2011



Authorized By *K H Park*
Ki Ho Park, President

* KH Mark indicates that KMAR is accredited by the KAS (No. KAS-02-17)
* IAF Mark indicates that KMAR is Accredited by the member of the International Accreditation Forum Multilateral Recognition Arrangement
* KQMS CODE: 13F (initial certification date: Oct. 27, 2008)
KMAR | 1stong, 12F, Ace High Tech City, #55-20, Mulla-dong, 3-ga, Yeongdeungpo-gu, Seoul, 150-972, Korea



YongJin Elecomm Co.,Ltd

Head Office & Factory

#147 Nae-Dong, Ojeong-Ku, Bucheon-City,
Kyunggi-Do, Korea 421-806

Tel:+82-32-6569030

Fax:+82-32-6569026

e-mail: yjesales@yjelecomm.com

<http://www.yjelecomm.com>